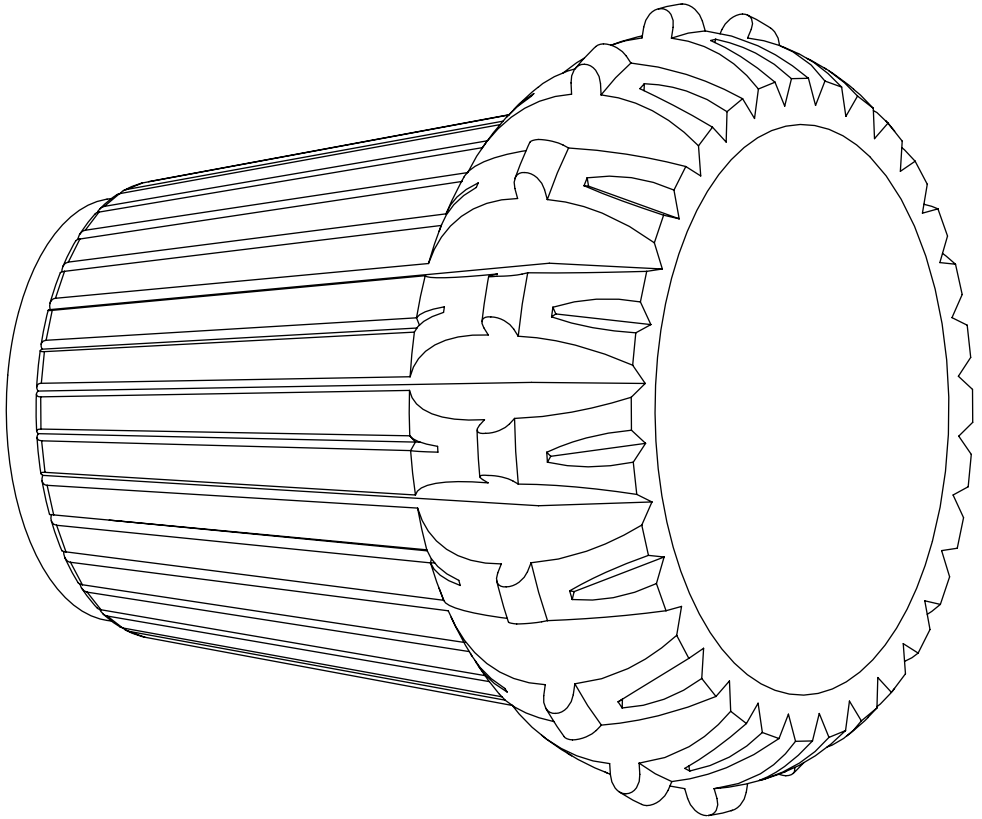


# EYEBALL XL

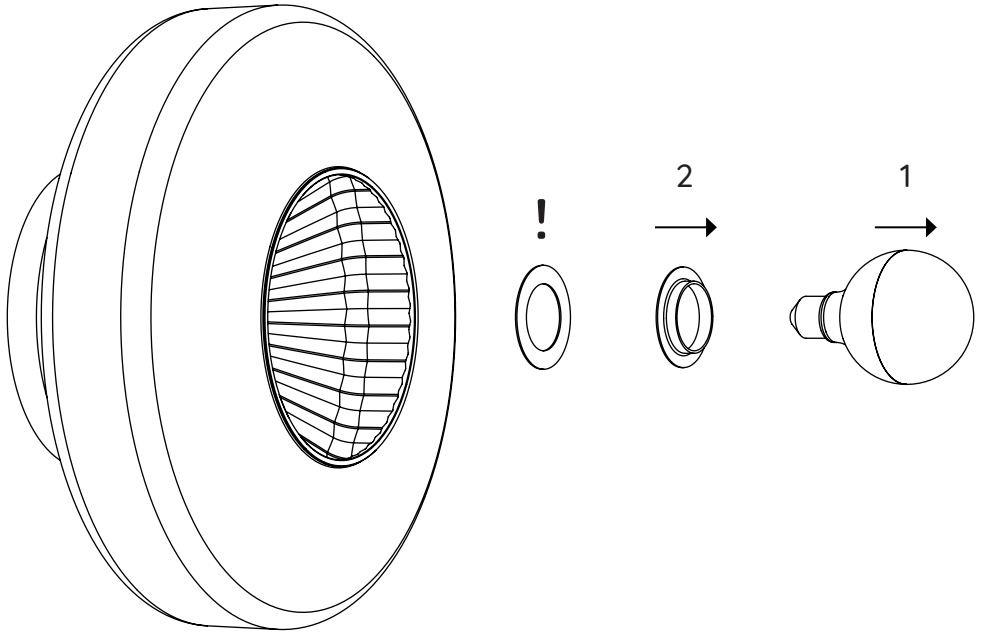
## MOUNTING INSTRUCTIONS

---



# UPGRADING

If you already have a New Wave Optic Wall XL

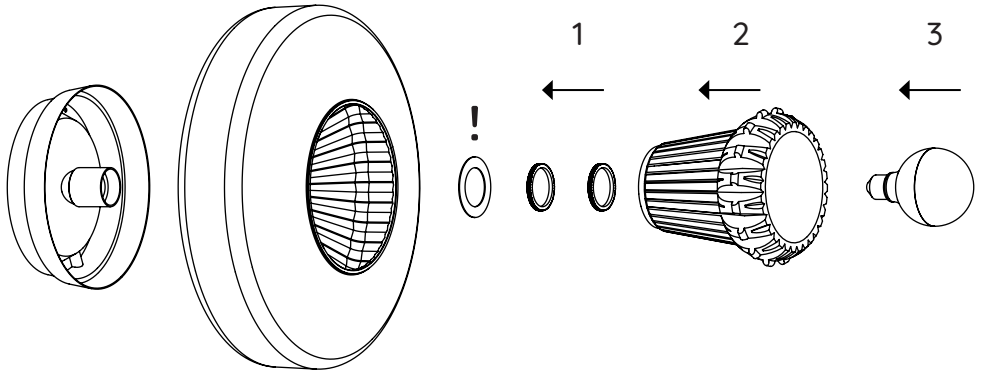


1 Loosen the light bulb and remove it.

2 Loosen the socket ring while holding the glass, ensuring that it will not fall off unexpectedly.

! Do not take out the rubber spacer. It protects the paint on the glass.

# MOUNTING THE EYEBALL



! Make sure that the rubber spacer is placed between the lamp glass and the first socket ring.

1 The Eyeball XL package contains two socket rings. It is used to secure the glass.

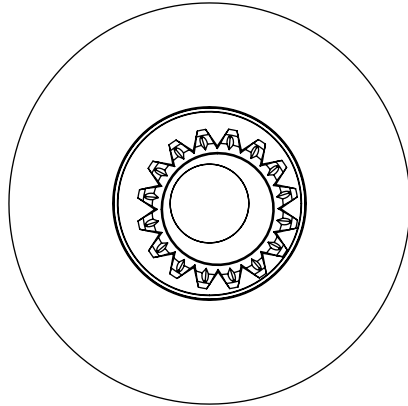
We recommend using both rings, but you can use only one if you want your Eyeball XL to pop out less.

2 Carefully screw the Eyeball XL in place. Make sure that the eyeball is properly tightened. Do not use extensive force.

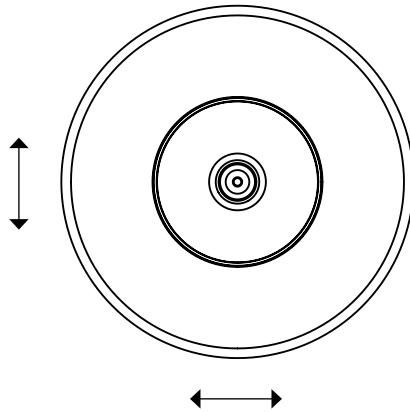
3 Screw in the light bulb.

# ADJUSTING YOUR GLASS

If the Eyeball XL is not centered in the lamp, it is possible to adjust it.



Remove the light bulb and then carefully remove the Eyeball XL with both hands so that it will not collide with the the lamp glass.



Take off the first socket ring and slightly loosen the second one to be able to move the glass to the desired location.

While holding the glass in position, tighten the socket ring.

Keep in mind that all lamps are handmade which means that it might not be possible to adjust it perfectly centered.