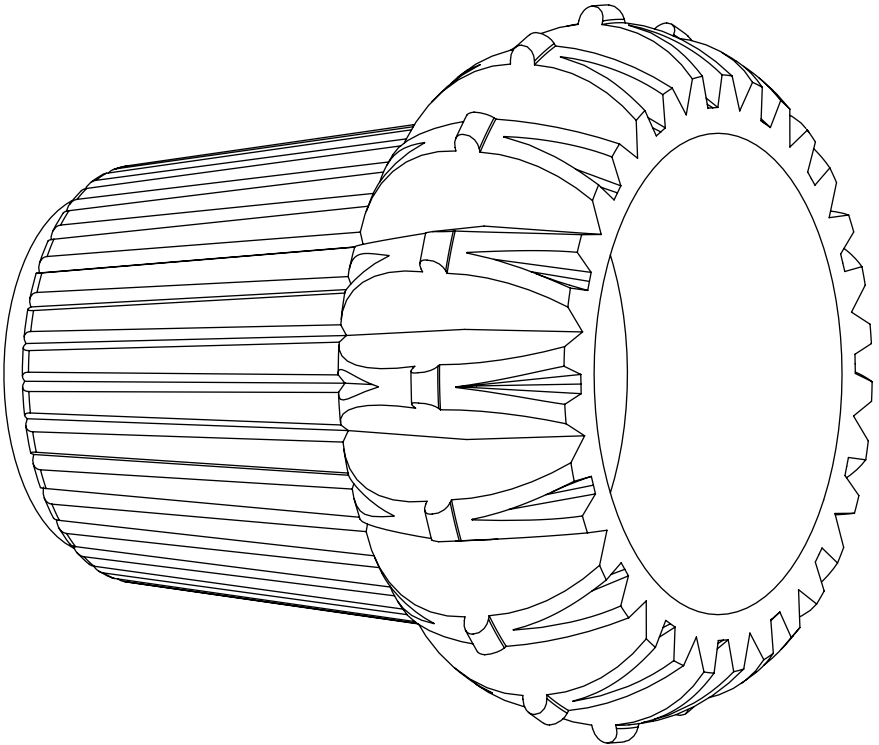


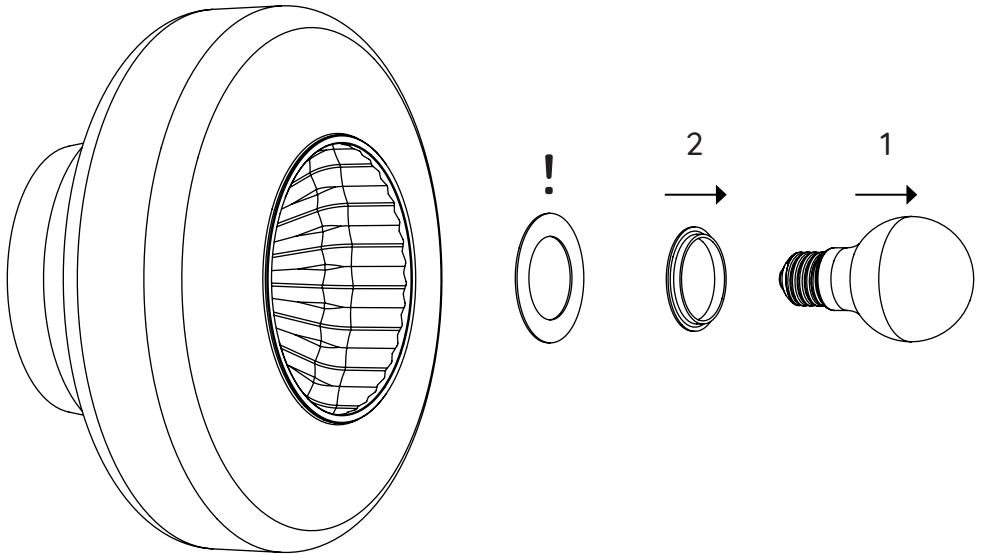
EYEBALL

MOUNTING INSTRUCTIONS



UPGRADING

If you already have a New Wave Optic Wall

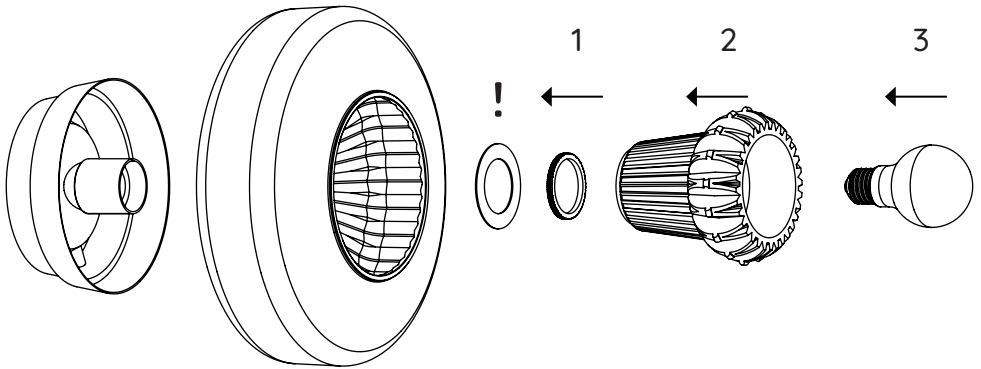


1 Loosen the light bulb and remove it.

2 Loosen the socket ring while holding the glass, ensuring that it will not fall off unexpectedly.

! Do not take out the rubber spacer. It protects the paint on the glass.

MOUNTING THE EYEBALL



! Make sure that the rubber spacer is placed between the lamp glass and the socket ring.

1 The Eyeball package contains two socket rings. It is used to secure the glass.

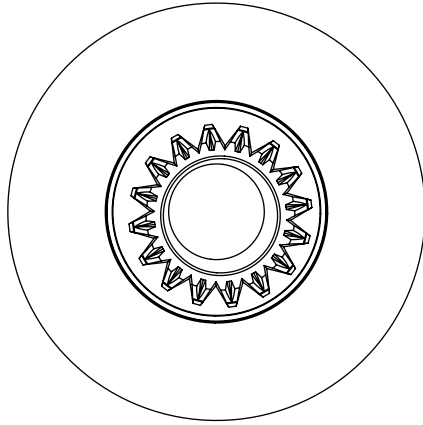
We recommend using only one, but you can use both if you want your Eyeball to pop out more.

2 Carefully screw the Eyeball in place. Make sure the eyeball is properly tightened. Do not use extensive force.

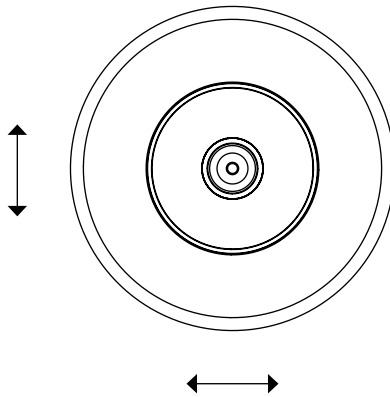
3 Screw in the light bulb.

ADJUSTING YOUR GLASS

If the Eyeball is not centered in the lamp, it is possible to adjust it.



Remove the light bulb and then carefully remove the Eyeball with both hands so that it will not collide with the the lamp glass.



Slightly loosen the socket ring and move the glass to the desired location. While holding the glass in position, tighten the socket ring. Keep in mind that all lamps are handmade which means that it might not be possible to adjust it perfectly centered.