

CHARGING STATION

accessory for Asteria Move | user guide



UIMAGE



WITH LOVE FROM COPENHAGEN

At UIMAGE, our designers take inspiration from the distinct nature of the Nordic landscape to create unique designs related to the way we live in an urban setting. Influenced by the design language, colours and materials found around us in Scandinavia, we create a collection that is rooted in our home but designed for everyone.

Versatile, flexible and multifunctional, our designs are created to enhance an urban lifestyle in smaller spaces!

ENGLISH

Different wall materials require different types of screws. Always choose screws that are specially suited to the materials of your walls.

DEUTSCH

Unterschiedliche Wandmaterialien erfordern unterschiedliche Schrauben. Immer Schrauben verwenden, die für die Wandbeschaffenheit geeignet sind.

FRANÇAIS

Le choix des vis dépend du matériau dans lequel elles doivent être fixées. Utiliser des vis adaptées au matériau de votre mur.

NEDERLANDS

Voor verschillende wandmaterialen heb je verschillende schroeven nodig. Completeer met schroeven die geschikt zijn voor het materiaal van de wand.

DANSK

Forskellige vægmateriale kræver forskellige typer skruer. Vælg skruer, som egner sig til det relevante vægmateriale.

ÍSLENSKA

Veggir húsa eru úr mismunandi efnum og nota þarf mismunandi skrúfur í þá. Veljið alltaf skrúfur sem henta efninu í veggjum heimilisins.

NORSK

Ulike veggmaterialer krever ulike skruer. Suppler med skruer som passer til materialet i din vegg.

SUOMI

Erilaisiin seinämateriaaleihin on käytettävä erilaisia ruuveja. Valitse kotisi seinämateriaaliin sopivat ruuvit.

SVENSKA

Olika väggmaterial kräver olika skruvar. Komplettera med skruvar som passar materialet i din vägg.

ČESKY

Různé typy stěn vyžadují různé druhy šroubů. Vždy použijte šrouby, které jsou vhodné do daného typu materiálu.

ESPAÑOL

Diferentes materiales de pared requieren diferentes tornillos. Completa con aquellos que mejor se adapten a tu tipo de pared.

ITALIANO

I diversi materiali delle pareti richiedono tipi diversi di viti. Scegli viti adatte al materiale della parete in questione.

MAGYAR

A különböző anyagú falakhoz, különböző típusú csavarokat hasz-

nálj. Válassz mindig olyan csavart (és tipliket), melyek a leginkább alkalmasak a falad anyagához.

POLSKI

Do różnego rodzaju ścian pasują różne rodzaje wkrętów. Wybieraj zawsze wkręty odpowiednie do Twoich ścian.

EESTI

Erinevatel seinte materjalidel kasutatakse erinevaid kruvisid. Valige ja kasutage alati kruvisid, mis sobivad spetsiaalselt teie seintele.

LATVIEŠU

Skrūves jāizvēlas atkarībā no sienu materiāla. Vienmēr izvēlieties skrūves, kas ir piemērotas konkrētajam sienu materiālam.

LIETUVIŲ

Skirtingoms sienų apdailos medžiagoms reikalingos skirtingų tipų tvirtin-

nimo priemonės. Visada pasirinkite tinkamas tvirtinimo priemones.

PORTUGUÊS

Os diferentes materiais de parede requerem diferentes tipos de parafusos. Escolha sempre parafusos adequados aos materiais das suas paredes.

ROMÂNIA

Materialele variate din care sunt construiți pereții necesită diferite tipuri de șuruburi. Alege întotdeauna șuruburi adecvate materialelor pereților tăi.

SLOVENSKY

Rôzne typy stien vyžadujú rôzne typy skrutiek. Vždy použite skrutky vhodné do daného materiálu.

БЪЛГАРСКИ

Различните стени материали изискват различни видове

винтове. Винаги избирайте винтове, специално съобразени с материала на вашите стени.

HRVATSKI

Različite vrste vijaka koriste se za različite vrste zidova. Uvijek odaberite vijke koji točno odgovaraju vrsti vaših zidova.

ΕΛΛΗΝΙΚΑ

Για τα διαφορετικά υλικά τοίχου, απαιτούνται και διαφορετικοί τύποι βιδών. Επιλέγете πάντοτε βίδες, οι οποίες να είναι ειδικά κατάλληλες για τα υλικά των τοίχων σας.

SRPSKI

Različite vrste zidova zahtevaju različite tiplove. Uvek odaberite tiplove koji odgovaraju vrsti vašeg zida.

РУССКИЙ

Для различного типа стен требуются различные виды шурупов. Всегда выбирайте шурупы, которые подходят к материалу Ваших стен.

SLOVENŠČINA

Različni stenski materiali zahtevajo različne vrste vijakov. Vedno uporabite takšne vijake, ki ustrezajo sestavi vaše stene.

TÜRKÇE

Farklı duvar materyalleri farklı türde vida gerektirir. Her zaman, duvarınızın yapı malzemesine uygun vidaları seçiniz.

BAHASA INDONESIA

Untuk bahan dinding yang berbeda membutuhkan jenis sekrup yang berbeda. Selalu memilih sekrup yang sesuai untuk bahan dinding Anda.

BAHASA MALAYSIA

Bahan dinding yang berlainan memerlukan jenis skru yang berlainan. Sentiasa pilih skru yang paling sesuai dengan bahan binaan bagi dinding anda.

한국어

벽에 따라 다른 종류의 나사를 사용해야 합니다. 반드시 벽에 적합한 나사를 사용하세요.

日本語

器具を固定するためのネジは壁の材質により異なります。必ず壁の材質に合ったネジを使用してください。

中文

不同的安装面材需采用不同类型的安装螺钉。根据墙体材料，选择适用的安装五金件。

繁中

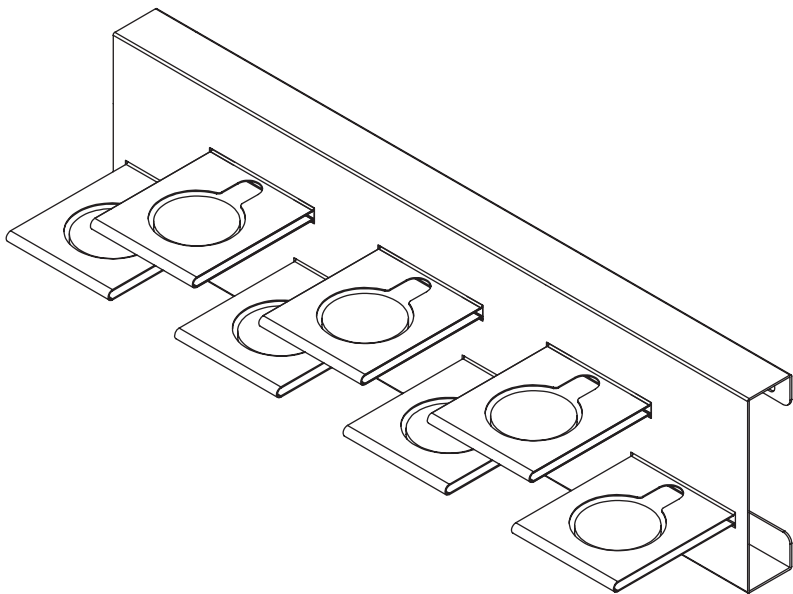
請選購適合貴戶牆壁材質的螺絲配件



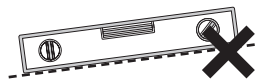
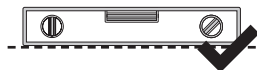
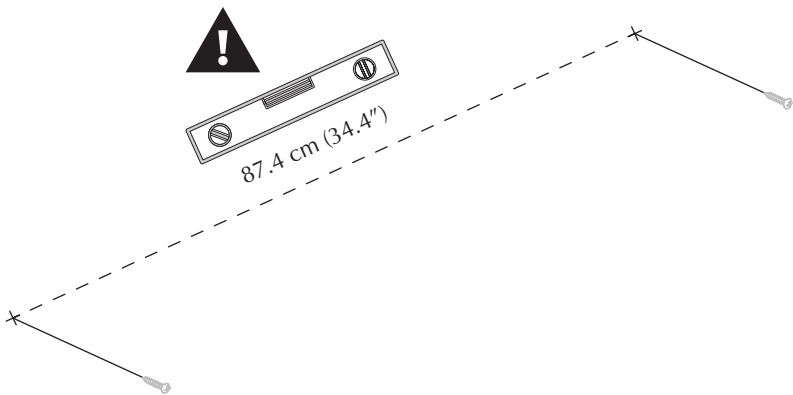
DESIGNED BY
SØREN RAVN CHRISTENSEN

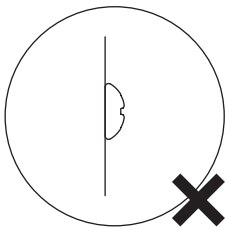
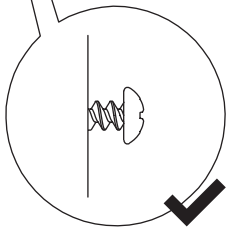
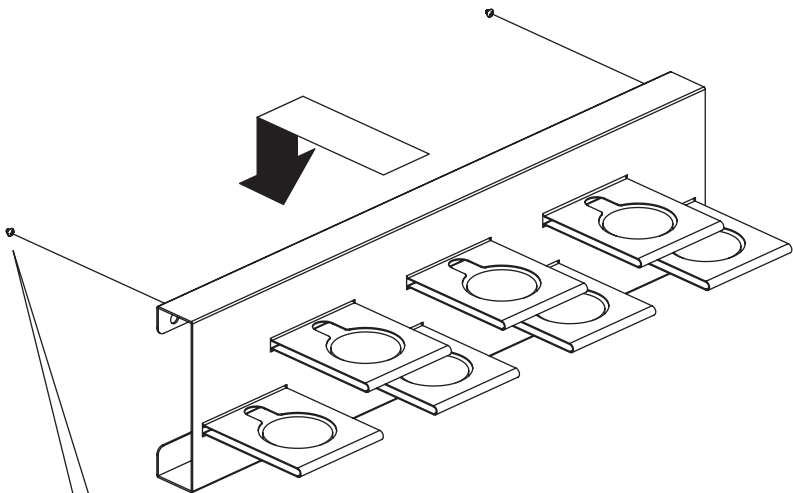
“ Born at the crossroads of design, technology and craftsmanship, the Asteria series of lamps incorporate built-in LED lights into a sleek, minimalist shape. ”

ASSEMBLY GUIDE

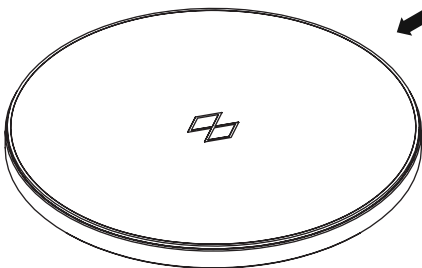
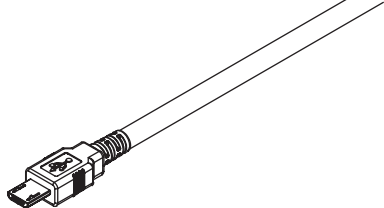


Find assembly videos by using the QR code or by
going online at our website
umage.com/instructions





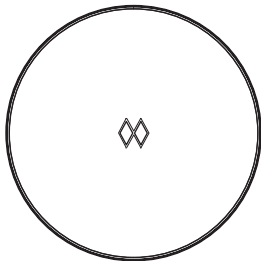
Recommend
UMAGE Unifier Qi wireless 10W charger
Not included

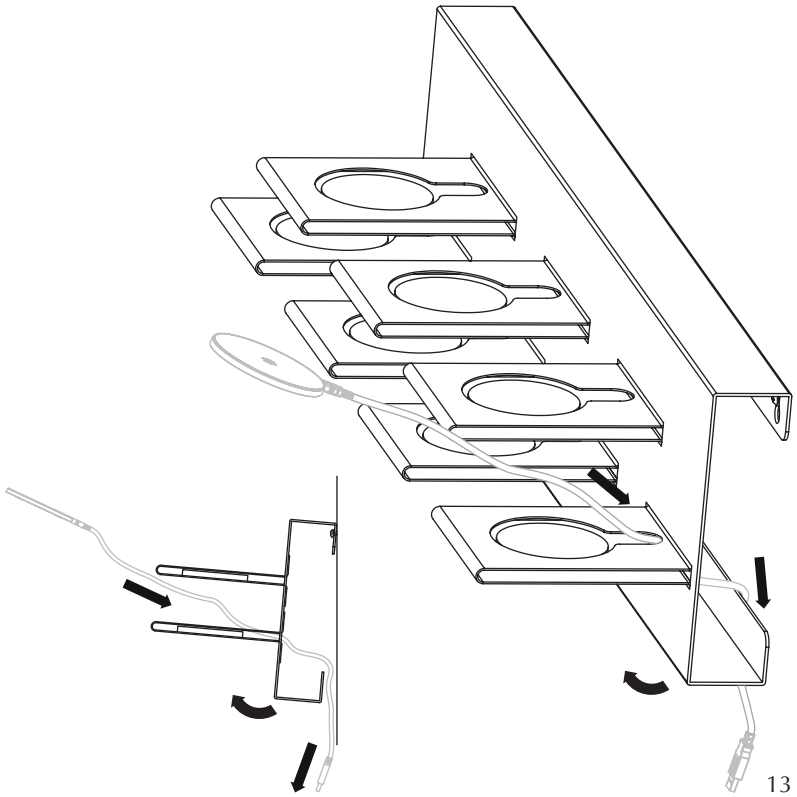


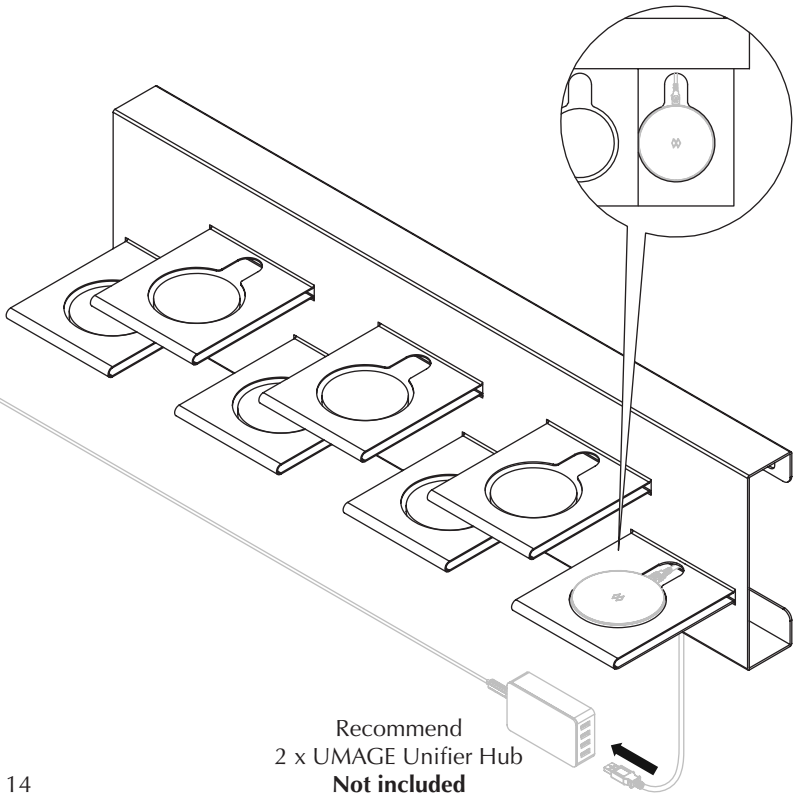
MIN 7 MM / 0.3"

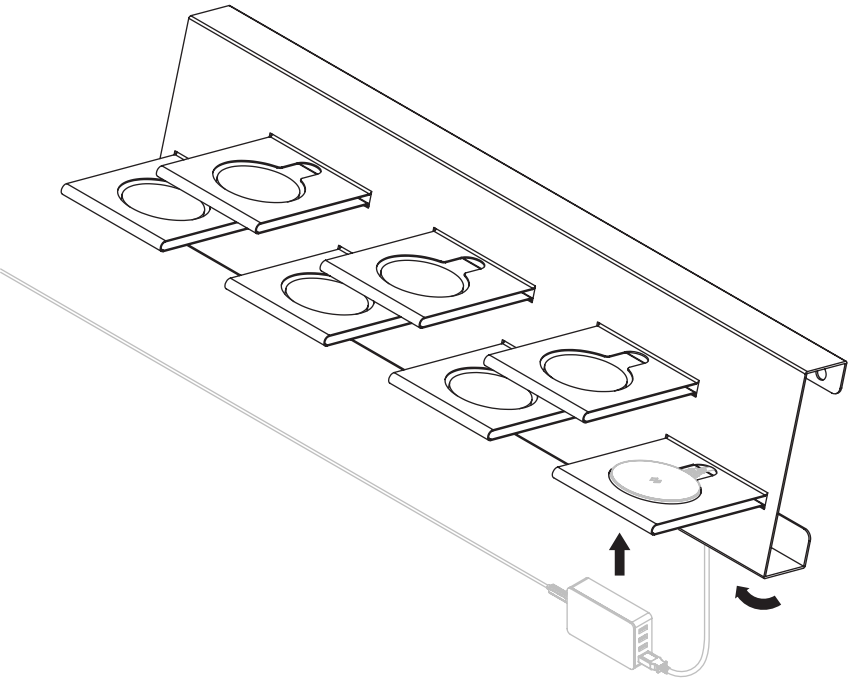


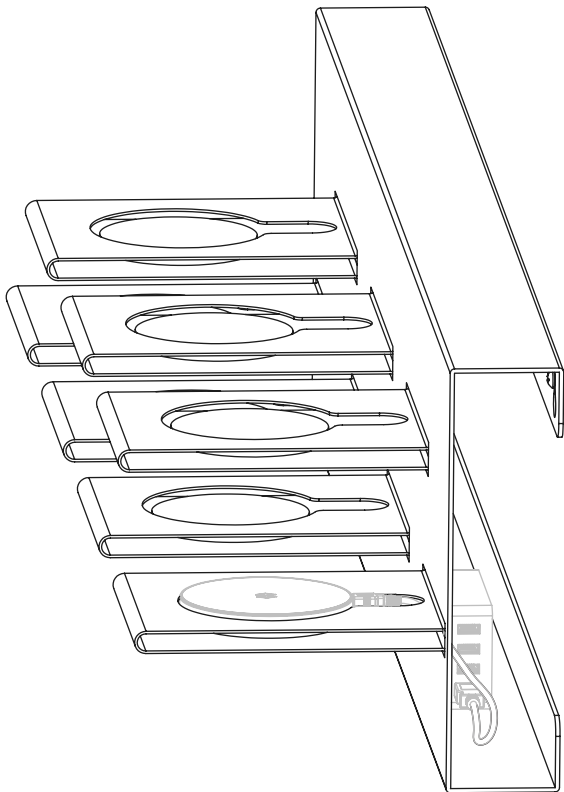
MAX 10 CM
3.9"



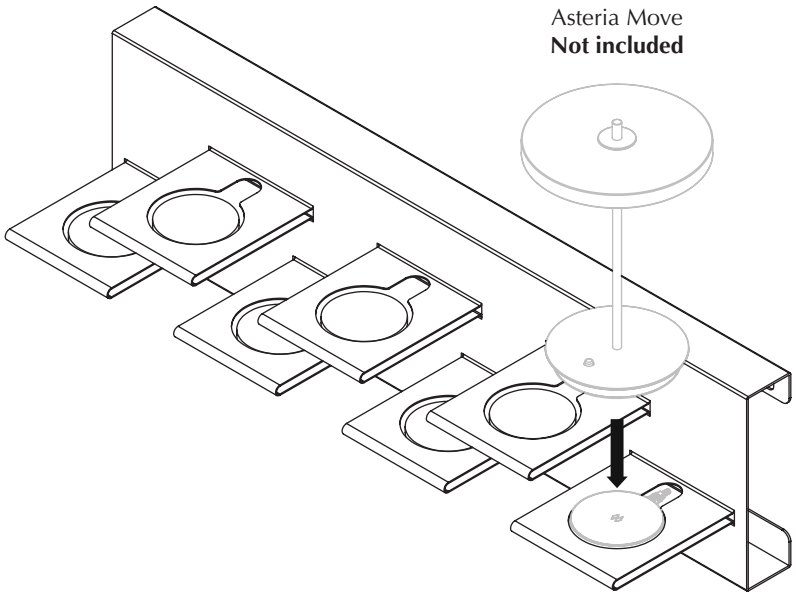


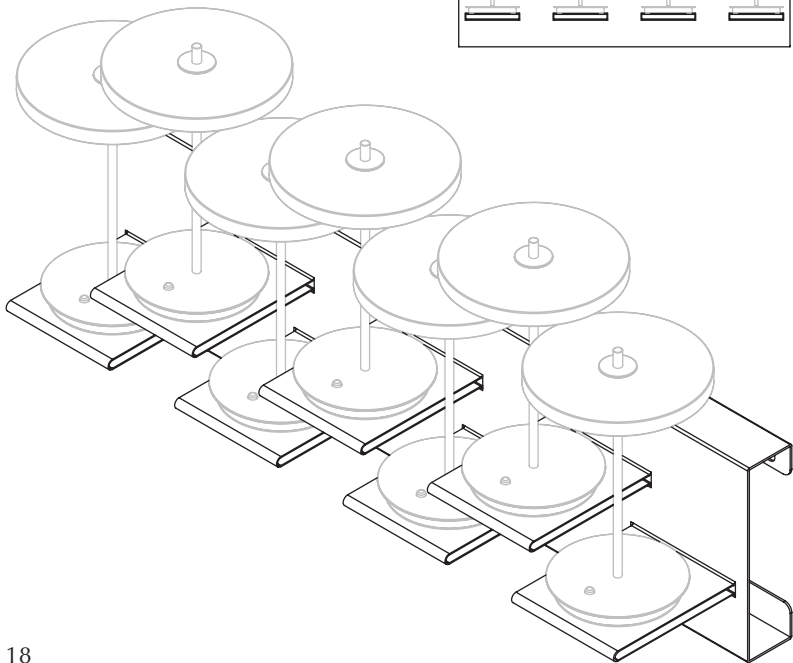






Asteria Move
Not included



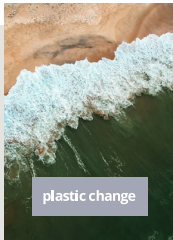




SUSTAINABLE SUSTAINABILITY EFFORTS

We are dedicated being sensible frontrunners on the environmental responsibility. If we provide timeless and functional quality designs that last, we know nature will prevail, as will UIMAGE.

*"SAVING THE SCENT OF THE FOREST
AFTER AN EARLY MORNING RAIN"*

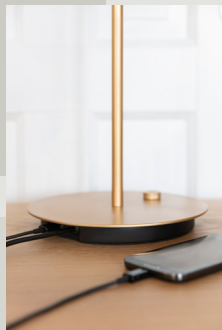


GIVING BACK TO NATURE

In collaboration with the NGO One Tree Planted, we are planting a tree every time one of our designs made from wood are being sold. Furthermore, we are compensating for the polypropylene products we sell, by donating part of the profits to the NGO Plastic Change, supporting the World ocean clean-up and minimizing plastic pollution.

MULTIFUNCTION AND FLEXIBILITY

One of the key aspects of the designs at UIMAGE is multiple functions and flexibility. Designing with more than one function in mind is a sustainable mindset as it reduces the number of products you need to buy to get a complete setting for your space.



REUSABLE PACKAGING

To minimize packaging waste, most of the packaging from our lighting collection is repurposed to be used as beautiful storage boxes afterwards. Learn more on the next page...

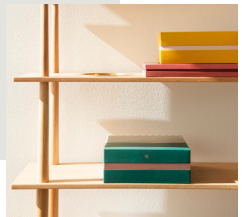


REUSABLE PACKAGING

With your new lamp, you have also received a free decorative storage box for the shelf.

THIS IS HOW IT WORKS

When your new lamp is out of the box you can keep the box and reuse it as a storage box for your small bits and bobs and place it on the shelf or on the top of your closet - repurposing the packaging for you and the environment.



So not only are UIMAGE's designs flat-packed to optimize the global logistics and the environmental footprint, but it ensures that you don't need to throw away tons of packaging material, that can just as well be reused for something new.

Read more about our many sustainability efforts:
umage.com/sustainability



Please follow the marked icons on the packaging materials for correct disposal of the remaining packaging materials:



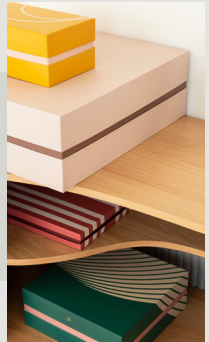
CARDBOARD



PAPER



Recycle your waste correctly
by searching for these icons on
the packaging



FOLLOW US ON SOCIAL MEDIA



@umagedesign | #umagedesign | umage.com


UMAGE



220108