

## Care Instructions

Warm Nordic's lamps are high quality when it comes to design and functionality.

With correct maintenance, the lamp will remain in good condition for many years to come. We advise that you follow the accompanying guidelines to care for and clean the lamp. This ensures extended lifetime.

**Top shade steel white color**  
**Grid lacquered steel**

Regular cleaning: To be wiped with a clean, lint-free cloth wrung out in warm water. Add a neutral detergent if necessary. Wipe with a dry cloth. Always remove stains immediately.

Note that chlorine-based liquid may cause rust formation and so should not be used.

Do not use alcohol or any other solvents.

Do not use abrasives such as scouring creams, steel wool or scouring sponges as these will cause scratches.

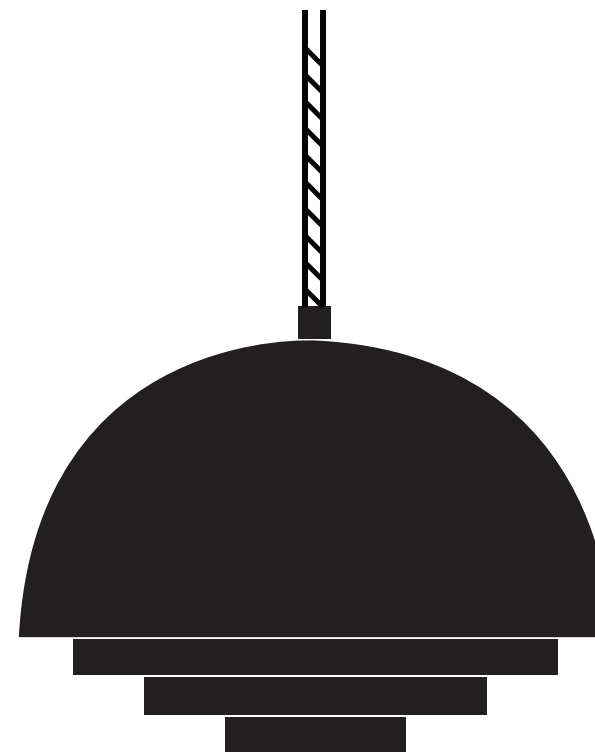
Lacquered surfaces do not tolerate denatured alcohol.

For more information about care and maintenance go to  
[www.warmnordic.com](http://www.warmnordic.com)

## Milieu Mini Colour

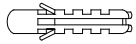
Designed by  
Jo Hammerborg  
1975

Assembly Instructions



---

## Contents



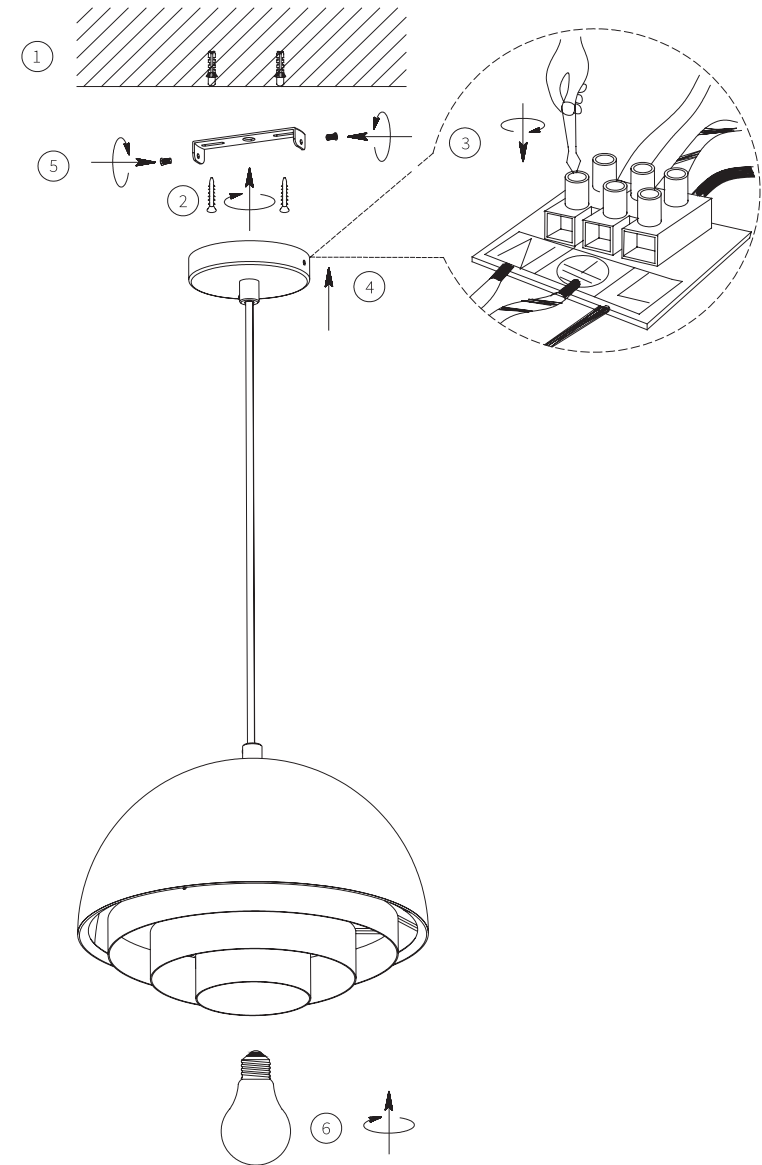
x 1



x 2

---

Recommended bulb:  
Philips LED, warm white, 25W, E27 or Philips LED, warm white, 40W, E27.



---

If the external flexible cable or cord of this luminaire is damaged, it shall be exclusively replaced by the manufacturer or his service agent or a similar qualified person in order to avoid hazard.

---