

Care Instructions

Warm Nordics lamps are high quality when it comes to design and functionality.

With correct maintenance, the lamp will remain in good condition for many years to come. We advise that you follow the accompanying guidelines to care for and clean the lamp. This ensures extended lifetime.

Shade brushed aluminum in brass color sealed with a clear lacquer. Tube steel brass color.

Regular cleaning

Remove dust with a clean lint-free dry cloth. Always remove stains immediately with a lint-free cloth wrung out in warm water. Wipe gently with a dry cloth.

Note that chlorine-based liquid may cause rust formation and so should not be used.

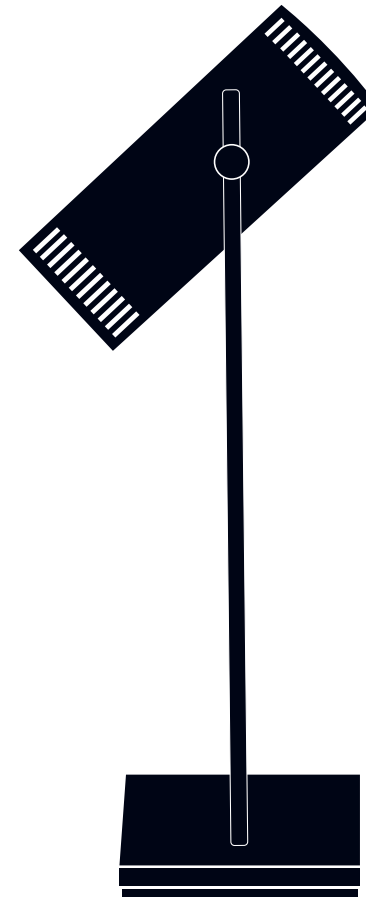
Do not use alcohol or any other solvents.
Do not use abrasives such as scouring cream, steel wool or scouring sponges as these will cause scratches.
Do not use Brass cleaning products, as they can destroy the main surface of the lamp.

For more information about care and maintenance go to www.warmnordic.com

Trombone Table Lamp, Brass

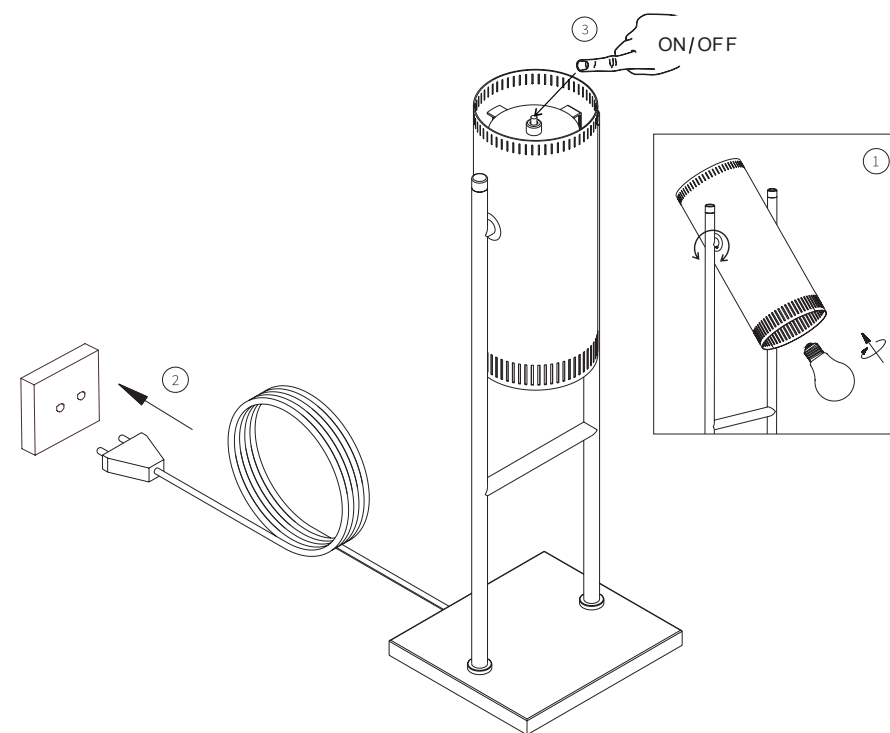
Designed by
Jo Hammerborg
1966

Assembly Instructions



Recommended bulb:

Philips LED, warm white, 25W, E27 or Philips LED, warm white, 40W, E27.



If the external flexible cable or cord of this luminaire is damaged, it shall be exclusively replaced by the manufacturer or his service agent or a similar qualified person in order to avoid hazard.
