

Montana

Montana Mini

PLINTH

DA / EN / DE

Design by Peter J. Lassen

SAMLEVEJLEDNING
ASSEMBLY INSTRUCTIONS
MONTAGEANLEITUNG

Montana Furniture

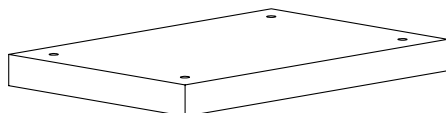
Akkerupvej 16, DK-5683 Haarby, Denmark • T +45 6473 3211

montanafurniture.com

INDHOLD



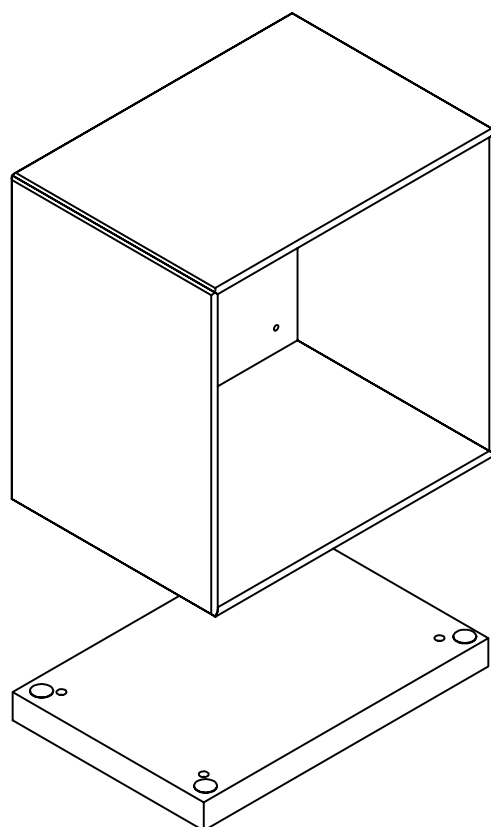
4 x Skridlapper



1 x sokkel

MONTERING

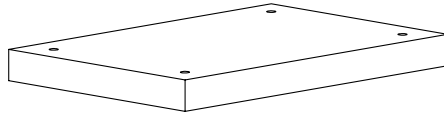
Skridlapper bruges til fiksering mellem stablede moduler.



CONTENT



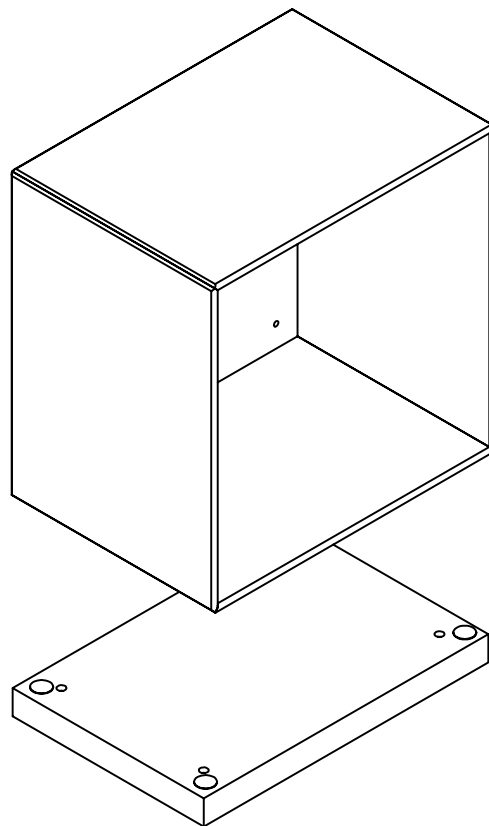
4 x Anti-slip patches



1 x plinth

MOUNTING

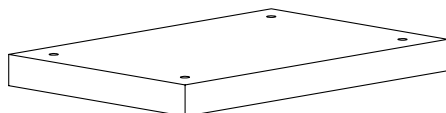
Anti-slip patches are used for securing between stacked shelving.



INHALT



4 x Rutschlappen



1 x Sockel

MONTAGE

Rutschlappen dienen zum Fixieren zwischen Stapelregalen.

