

# **NAKKI**

**ASSEMBLY INSTRUCTION**

**WOUD**

NAKKI IS A DISTINCTIVE SERIES,  
WHICH IS MEANT TO BE A CHEERFUL  
PERSONALITY IN THE LIVING ROOM.  
THE SERIES HAS AMPLE AND FIRM  
PADDING FOR A COMFORTABLE  
SEATING EXPERIENCE. ITS SQUARE  
FORM AND STRAIGHT LEGS ARE  
CONTRASTED WITH ITS SOFT SHAPES.  
THE MINIMALISTIC EXPRESSION  
GIVES NAKKI ITS CHARACTERISTIC  
AND LOUNGY FEEL.

A handwritten signature in black ink, reading "Mika Tolvanen". The signature is fluid and cursive, with the first name "Mika" and the last name "Tolvanen" written in a single continuous stroke.

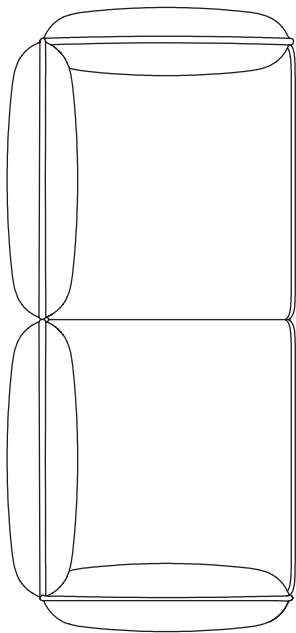
MIKA TOLVANEN

**THIS INSTRUCTIONS MANUAL IS VALID FOR:**

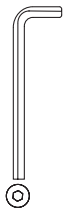
**NAKKI ONE-SEATER  
NAKKI TWO-SEATER  
NAKKI THREE-SEATER  
NAKKI ARMCHAIR  
NAKKI OTTOMAN  
NAKKI LONG OTTOMAN  
NAKKI BENCH**

# **ASSEMBLY INSTRUCTION**

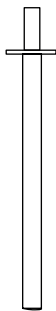
**PLEASE GO THROUGH THE FOLLOWING  
STEPS CAREFULLY. RETAIN THIS MANUAL  
FOR FUTURE REFERENCE TO ENSURE THAT  
YOUR NEW ITEM IS CORRECTLY ASSEMBLED  
IN CASE IT SHOULD BE DISASSEMBLED OR  
MOVED. WE ARE NOT RESPONSIBLE FOR  
ANY FAULTS OR DAMAGES CAUSED BY  
NOT FOLLOWING THESE INSTRUCTIONS  
CORRECTLY.**



**A X 1**



**D X 1**



**B X 4\***

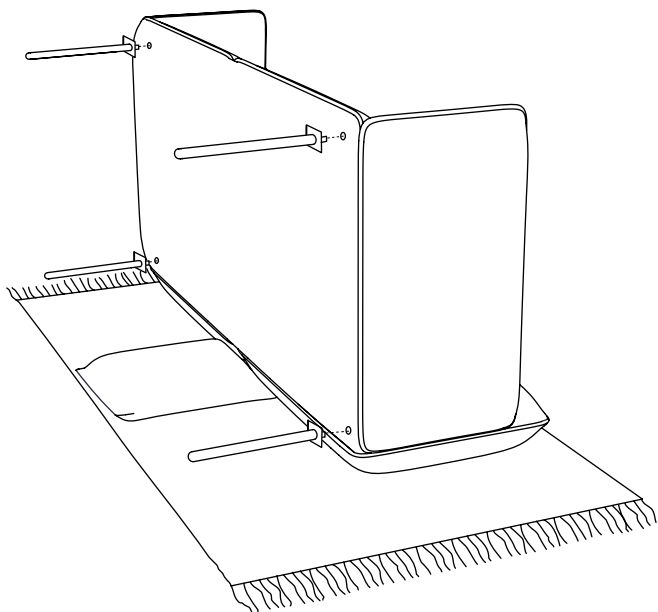


**C X 16\***

**\*THREE-SEATER: 6 (B) + 24 (C)**

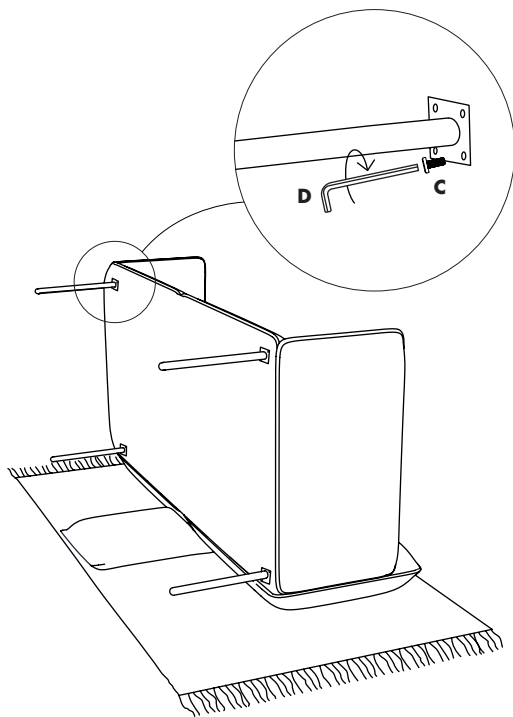
# STEP 1

PLACE NAKKI ON A SOFT CARPET OR RUG.  
MOUNT THE METAL LEGS IN THE FOUR HOLES.



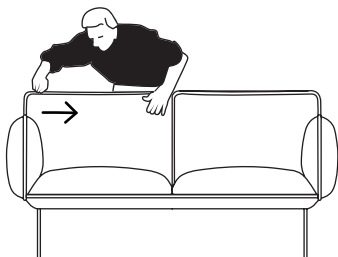
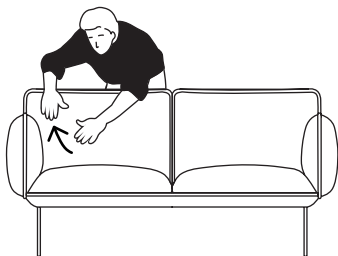
## STEP 2

TIGHTEN THE SCREWS BOLTS WITH THE HEX KEY.  
THEN LIFT AND FLIP THE SOFA.

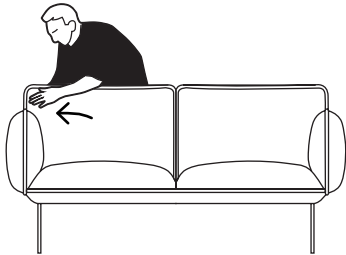
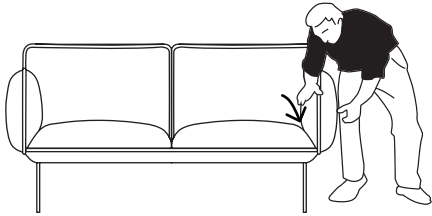


# NOTICE

WE RECOMMEND THAT YOU MASSAGE YOUR SOFA AS SHOWN BELOW TO STRETCH THE FABRIC AND AVOID COMPRESSION OF THE FOAM.







DESIGNED BY  
**MIKA TOLVANEN**