

FROST

DENMARK

NOVA2
TOWEL BAR 3, 4, 7 & 8

Fitting instruction
Montageanleitung
Monteringsvejledning
Monteringsvægledning
Montage hanleiding
Manuel de montage

N1916-1



N1916-2



N1916-3



N1916-4



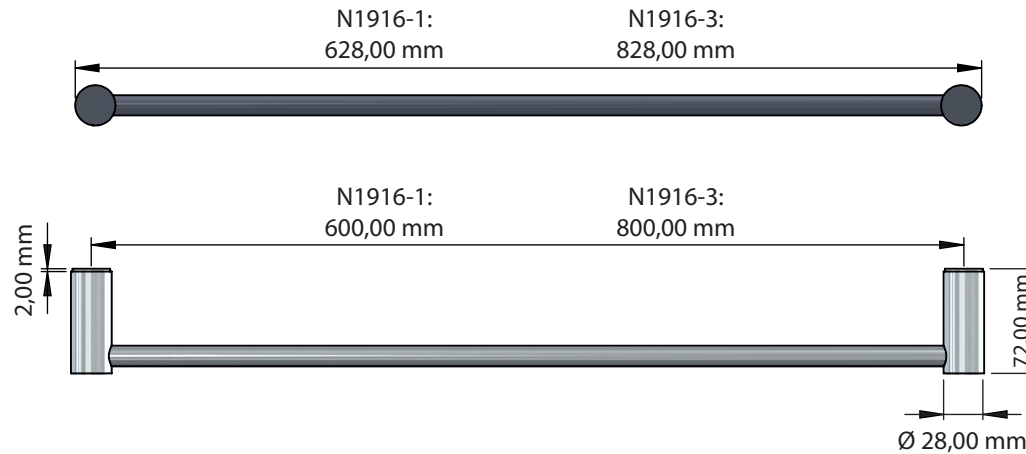
Material: Stainless steel, AISI 304

Finish: All models are available in brushed, polished, copper, gold, black and white

Design: Bønnelycke mdd

Manufacturer: FROST A/S

N1916-1 & N1916-3



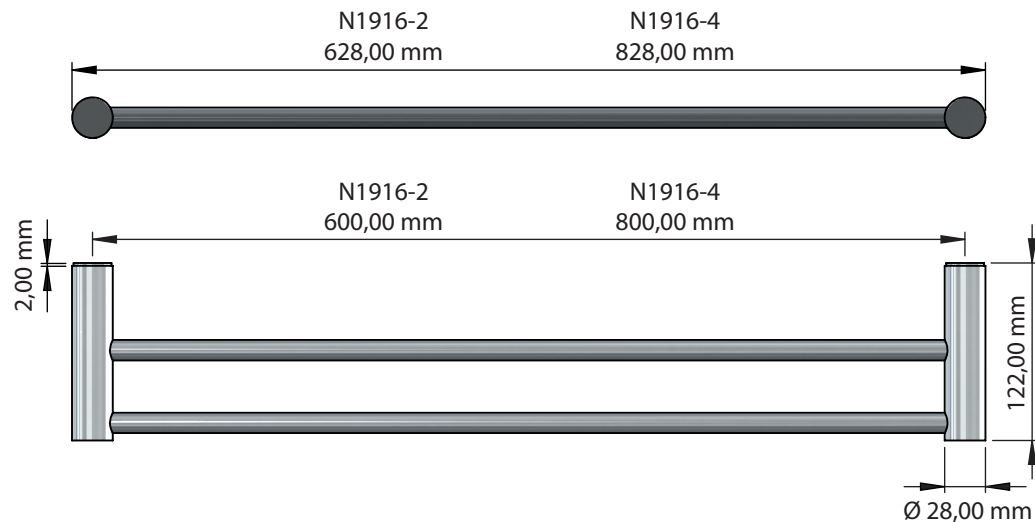
Exclusion of liability

FROST accepts no liability whatsoever for damage to persons or property that occurs or has occurred as a result of improper installation or maintenance, particularly if the safety instructions and other points to note listed are not or have not been observed in full.

Warning and hazard notices

Improper mounting or use can lead to accidents and serious injuries.

N1916-2 & N1916-4



Cleaning and maintenance

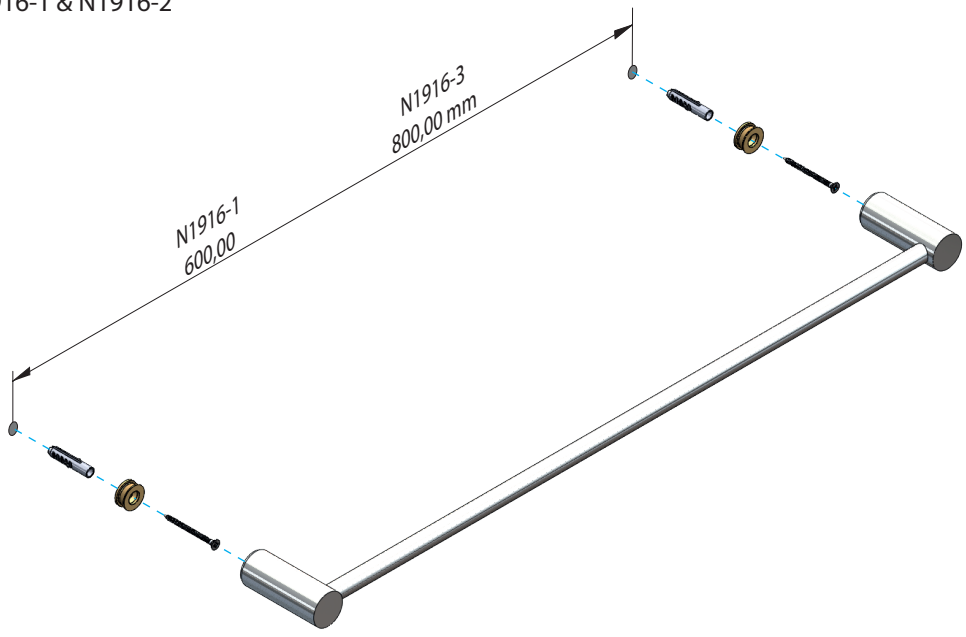
Stainless steel surfaces should be cleaned with a microfibre cloth, glass cleaner or other non abrasive and gentle agents.

Attention:

Never use solvents or aggressive household cleaners like bleach, acids (e.g. descalers) or ammonia-based bathroom cleaner to clean the product. Steel wool and hard brushes can permanently damage the surface of the steel.

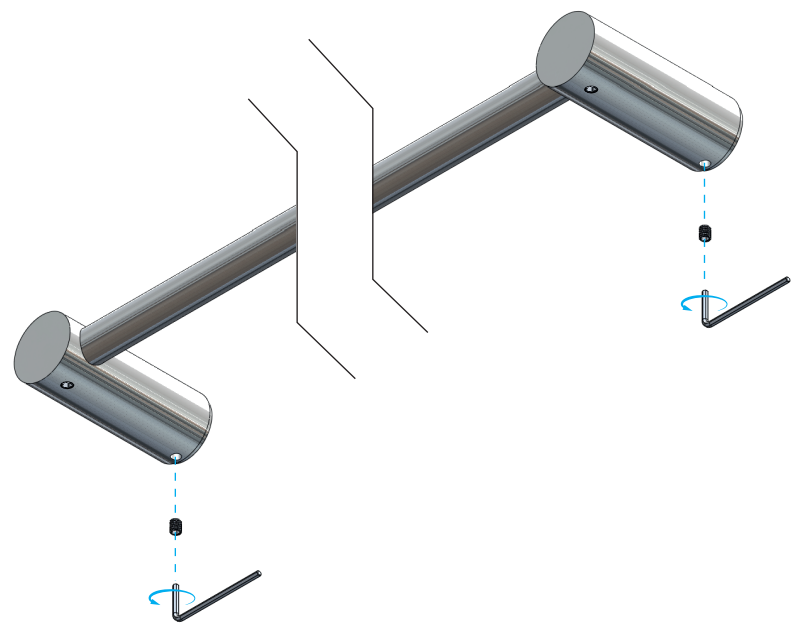
N1916-1 & N1916-2

1



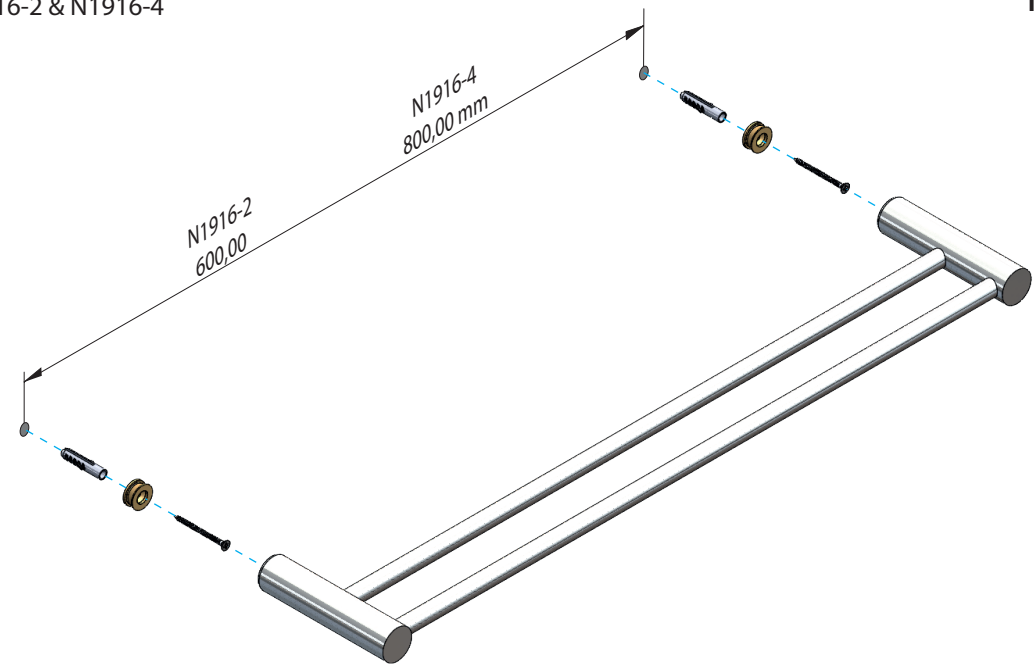
N1916-1 & N1916-2

2



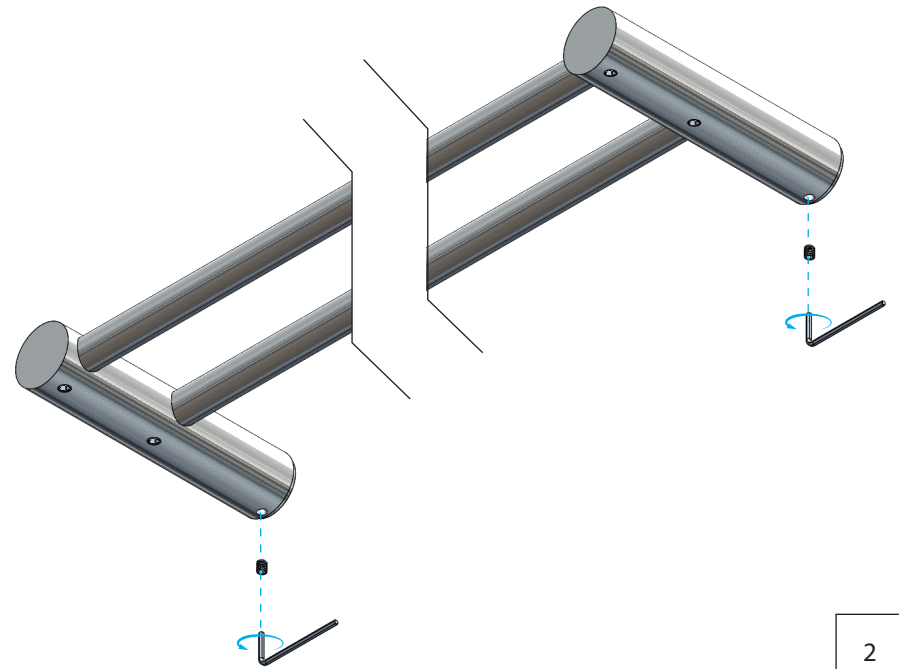
N1916-2 & N1916-4

1



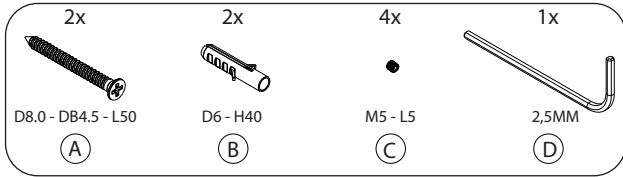
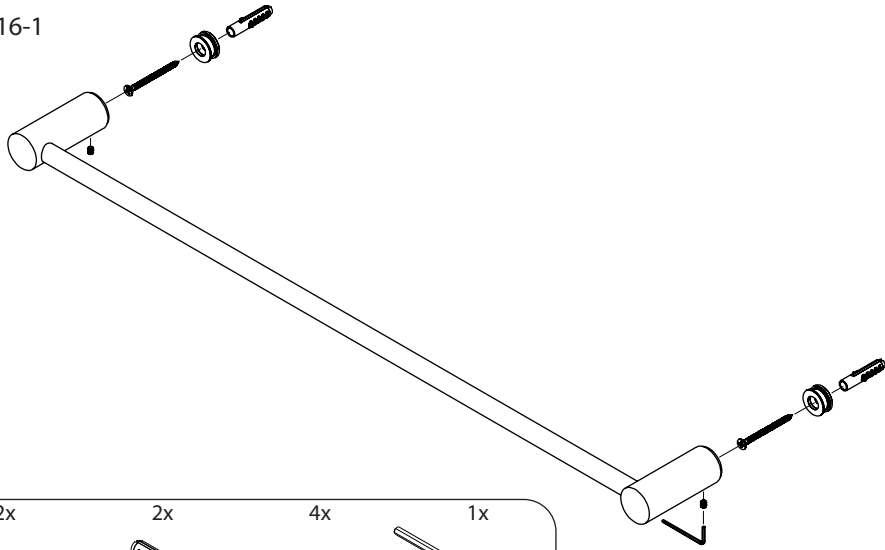
N1916-2 & N1916-4

2

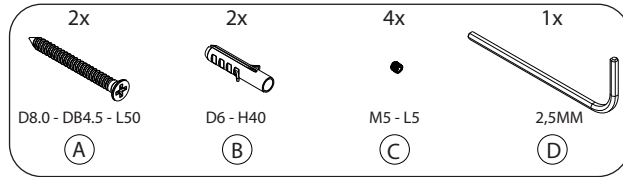
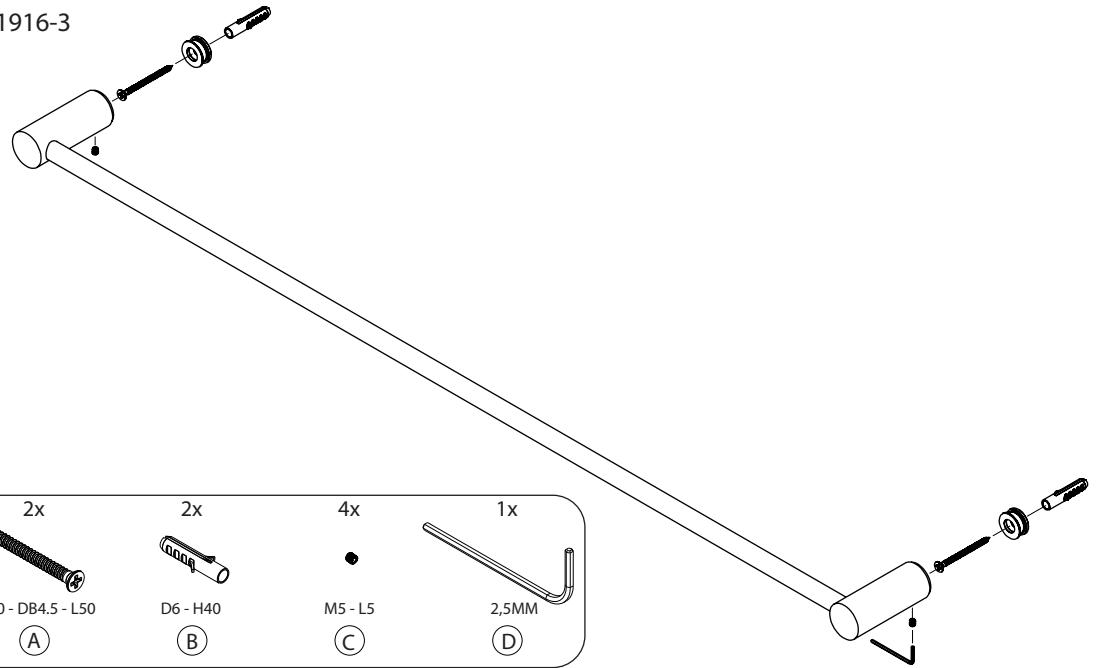


2

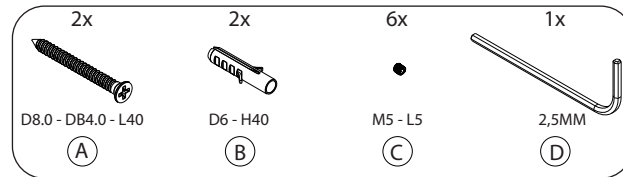
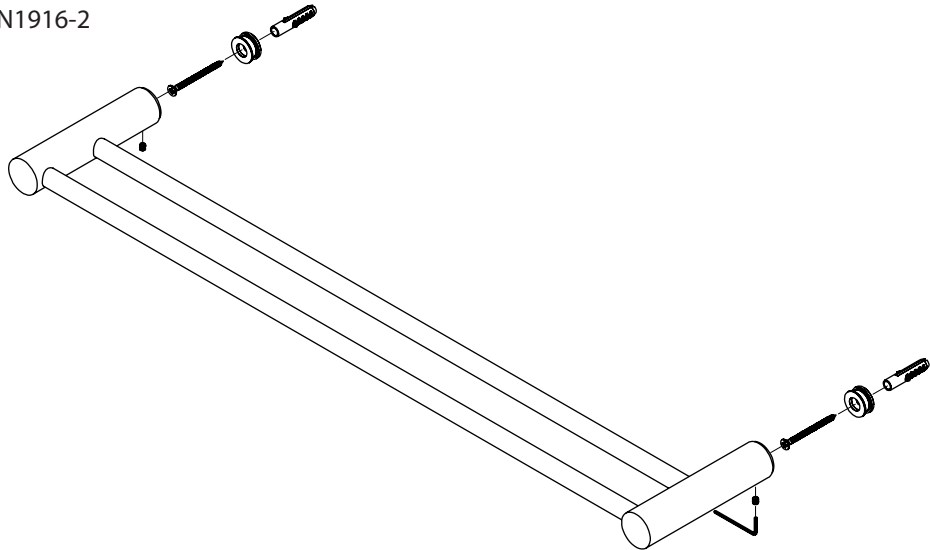
N1916-1



N1916-3



N1916-2



N1916-4

