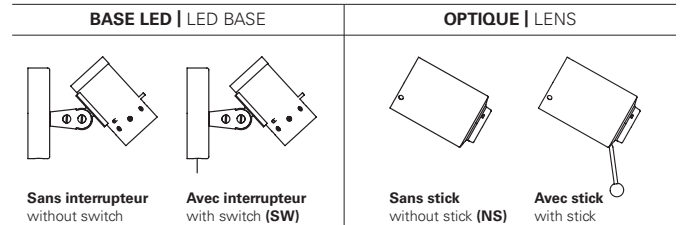
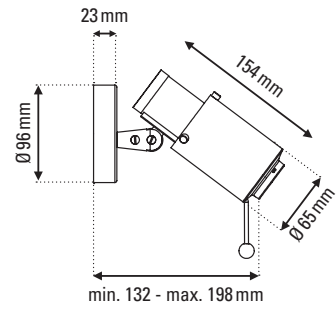




BINY SPOT LED

de Jacques Biny



FICHE TECHNIQUE TECHNICAL SHEET



APPLIQUE

WALL LAMP

Matériaux Acier, aluminium
Material Steel, aluminium

Poids 1,2 kg
Weight

Emballage 220 x 150 x 150 mm
Packaging

IP 20
IP

Tension 110/240V
Voltage

Classe 1
Class

Watt 4,5W
Watt

Source INTEGRATED LED 2700K
Source Non dimmable

Lumens 62,399 lm
Lumens output

Driver Driver fourni (51,5x32,8x17 mm)
500 mA / 3-10,5V / 1,5-5,2W
Driver supplied (51,5x32,8x17 mm)
500 mA / 3-10,5V / 1,5-5,2W

Câble NA
Wire

Interrupteur Sur la base (option)
Switch On the base (option)

Fiches NA
Plug

BASE BASE



Black
BL



Polished
Nickel
NK

TUBE TUBE



Black
BL



Polished
Nickel
NK



Gold
Anodized
GL

DCWéditions
PARIS

71 rue de la Fontaine au Roi
75011 Paris — France
+33 (0)1 40 21 37 60
sales@dcwe.fr

BINY SPOT LED

de Jacques Biny

FICHE TECHNIQUE TECHNICAL SHEET

DONNÉES PHOTOMÉTRIQUES PHOTOMETRIC DATA

Flux 62,399 lm
Tc 2918 K
CRI 77,3

