

Instructions



# In Between SK23 & SK24

## Sami Kallio

### 2014

---

Congratulations with your new In Between lounge table, designed in 2014 by Sami Kallio. We hope you will enjoy using this product and follow these instructions to ensure correct assembly. If you have any questions or comments, please do not hesitate to contact us by mail on:

[info@andtradition.com](mailto:info@andtradition.com)

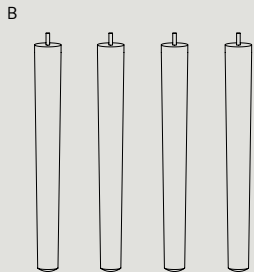
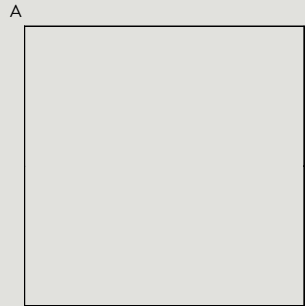
# In Between SK23 & SK24

## Sami Kallio

### 2014

---

Please read these instructions carefully and retain them for future reference to ensure that the product is used correctly. For your own safety, please study each step of this instruction manual first. &Tradition is not responsible for any faults or damages caused by not following these instructions correctly. Do not modify this product in any way.



#### Contents

- A Tabletop
- B Legs x 4
- C Spacers x 4

#### Safety precautions

- The table is only intended for interior use.
- Handle table top with care in order not to scratch any surfaces.
- Dispose of plastic bag from packaging and do not allow children to play with it.

#### Cleaning instructions

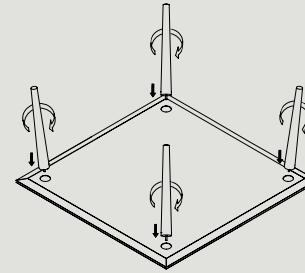
##### Oiled wood

For daily care, dust oiled furniture with a soft dry cloth. Cleaning can be done using a soft cloth wrung in lukewarm water following the wood grain and dried immediately with a dry cloth following the wood grains.

For more severe cleaning a soap specifically developed for oiled wood can be used. Follow the instructions on the packaging of the cleaning product. To maintain the look and silky feeling of oiled wood, regular re-oiling is recommended. Re-oiling should be done when the wood starts to appear dry or faded.

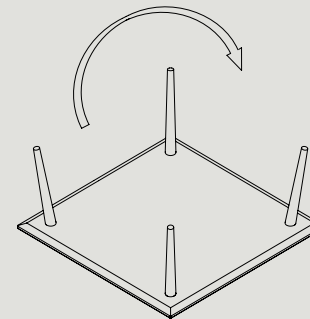
##### Lacquered wood

For daily care it is recommended to dust the furniture with a soft cloth. Lacquered wood can be cleaned with a soft cloth wrung in a mild solution of lukewarm water and a universal cleaning detergent. Always follow the wood grains and always dry with a soft dry cloth immediately after cleaning. Avoid use of abrasive cleaning agents and aggressive cleaning detergents as this will damage the surface of the lacquered wood.



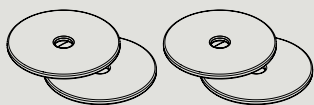
#### Step 1

Flip the tabletop upside down on a soft, flat surface. Place the legs in the appointed holes and fasten by turning clockwise.



#### Step 2

Flip the table around and place carefully on the floor.



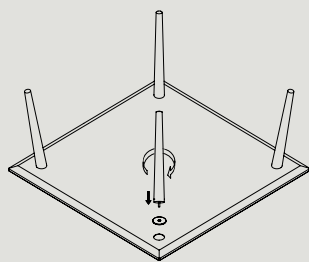
### Important information

Solid wood will bend over time due to changes in temperature and humidity. This is completely normal but might leave the table slightly unstable. To adjust the unstableness of the table four spaces are provided.

### Applying the spacers

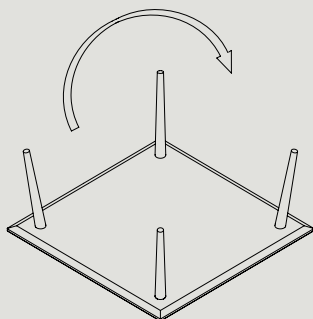
#### Step 1

Flip the table upside down on a soft, flat surface. Disassemble the leg which is too short by turning counter-clockwise



#### Step 2

Place the spacer between the leg and table top and re-assemble the leg by turning clock-wise



#### Step 3

Flip the table around and place carefully on the floor.