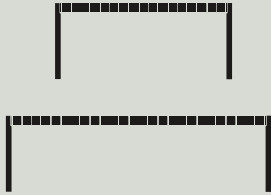


Instructions



Betty TK4 & TK5

Thau & Kallio

2020

Congratulations with your new Betty bench, designed in 2020 by Thau & Kallio. We hope you will enjoy using this product and follow these instructions to ensure correct assembly. If you have any questions or comments, please do not hesitate to contact us by mail on:

info@andtradition.com

Betty TK4 & TK5 Thau & Kallio 2020

Please read these instructions carefully and retain them for future reference to ensure that the product is used correctly. For your own safety, please study each step of this instruction manual first. Tradition is not responsible for any faults or damages caused by not following these instructions correctly. Do not modify this product in any way.

Content

- A Seat frame
- B Legs x 4
- C Furniture screw heads x 8
- D Allen key

Safety precautions

- The bench is only intended for interior use.
- Dipose of plastic bag from packaging and do not allow children to play with it.

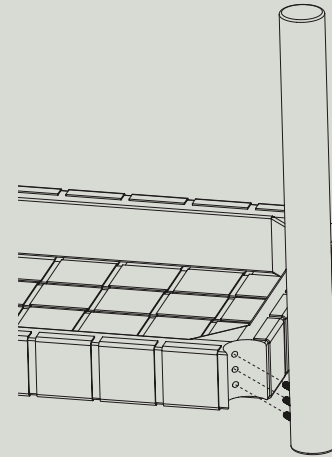
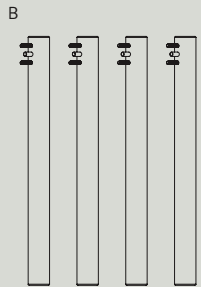
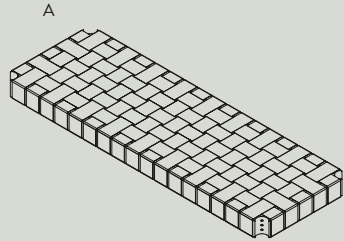
Cleaning instructions

Lacquered wood

For daily care it is recommended to dust the furniture with a soft cloth. Lacquered wood can be cleaned with a soft cloth wrung in a mild solution of lukewarm water and a universal cleaning detergent. Always follow the wood grains and always dry with a soft dry cloth immediately after cleaning. Avoid use of abrasive cleaning agents and aggressive cleaning detergents as this will damage the surface of the lacquered wood.

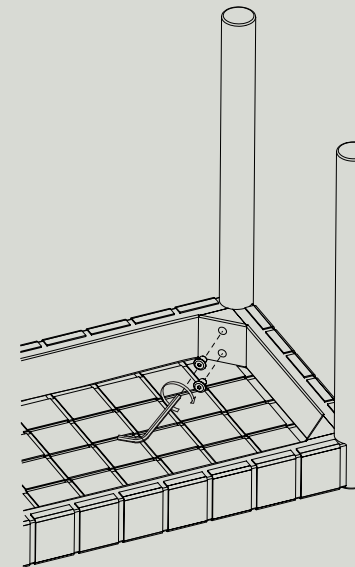
Webbing

Soak up spilled liquids immediately with an absorbent napkin or cloth by dabbing gently towards the centre of the stain. Most stains can be removed with lukewarm water on a clean lint-free cloth. If necessary, add a little neutral detergent. Avoid rubbing the material hard as this could result in loss of colour and damage the fabric. It may also be necessary to use a hairdryer to avoid leaving an outline. Never use concentrated detergents or bleach ammonia or soap intended for hard surfaces.



Step 1

Turn the seat frame (A) upside down on a soft, flat surface. Place the premounted bolts in the legs (B) into the appointed holes in the seat frame.



Step 2

Place the furniture screw heads (C) in the appointed holes and fasten them clockwise with the Allen key (D) onto the bolts.

&Tradition®