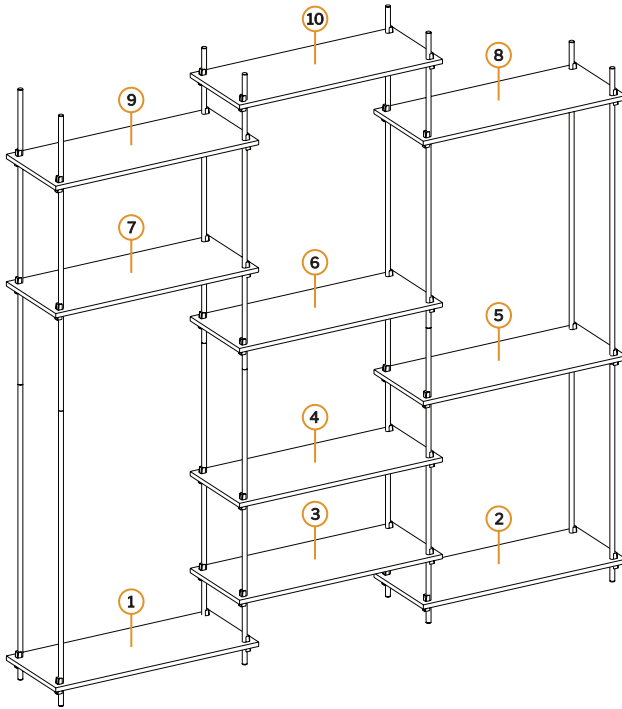


HOW TO ASSEMBLE

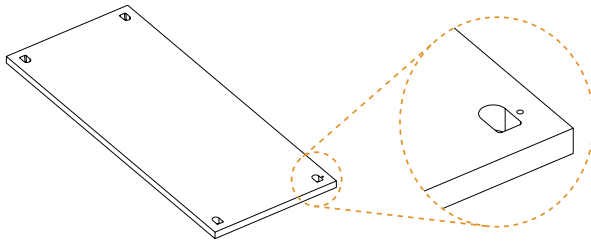
1. PLAN AHEAD

Before beginning to assemble your new system, be sure to plan ahead. Shelves and other elements have to be installed sequentially.



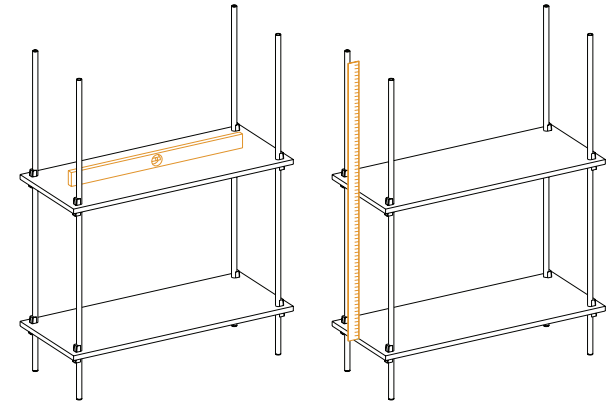
2. SHELVES ONLY WORK ONE WAY

The shelf plate looks similar on both sides. However, there is only one way up and one way down. On the underside of each shelf, you will find a small indicator dot located next to one of the leg holes. The side which contains the dot should always point downwards.



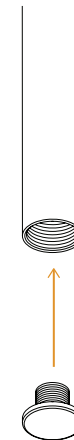
3. HOW TO LEVEL A SHELF

When installing shelves into the system, it can be difficult to see if the shelf is exactly levelled both vertically and horizontally. Use either a water level, a water level app or measuring stick to make sure you have it perfect.



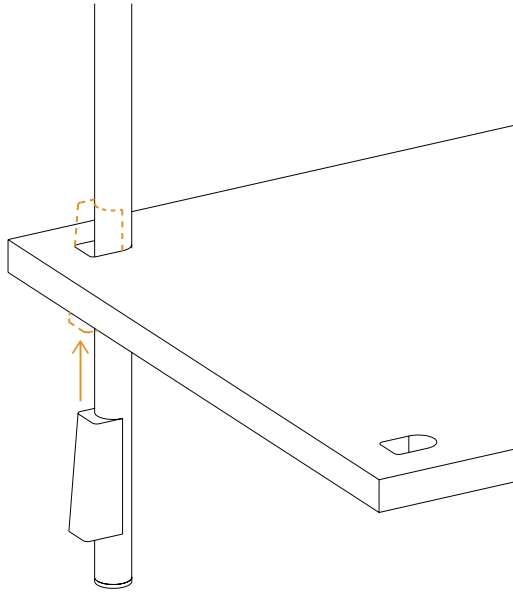
4. BEGIN WITH THE LEGS

Insert an end cap into the one end of each leg that will touch the floor. Simply push in the end cap and give a tap with a hammer if needed.



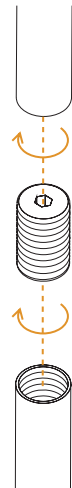
5.
INSTALLING A SHELF

Place the first shelf on the floor and make sure that it is turned with the indicator dot facing down. Insert the first leg through the shelf and raise it to the desired height. Set in place by pushing the wedge into the shelf from below. Tapping with a hammer to secure and repeat this for all four legs. You may find it easier to lay the system down when installing the first shelf.



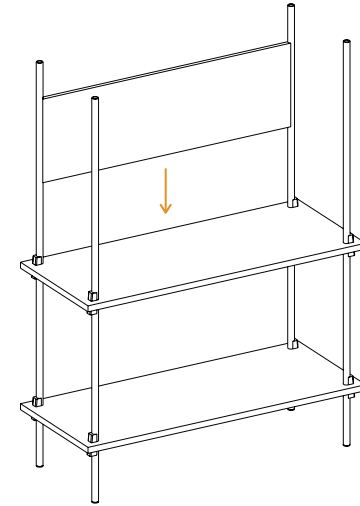
6.
CONNECTING THE LEGS

The two standard legs of 85 cm and 115 cm tall can be combined in any combination. Each leg is threaded on the inside. To join together, simply screw a threaded connector into one leg and screw on the next.



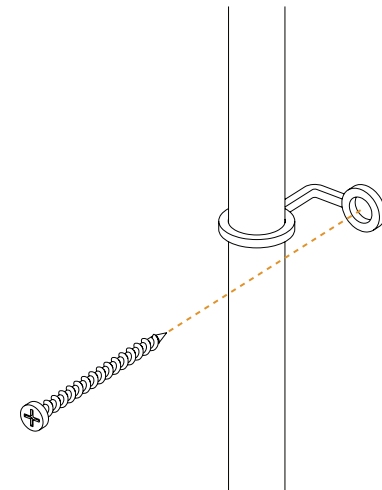
7.
INSTALLING A BACK PLATE

To install a back plate, simply slide it down between the two legs until you meet the shelf surface. The back plate can be installed on either of the long sides.



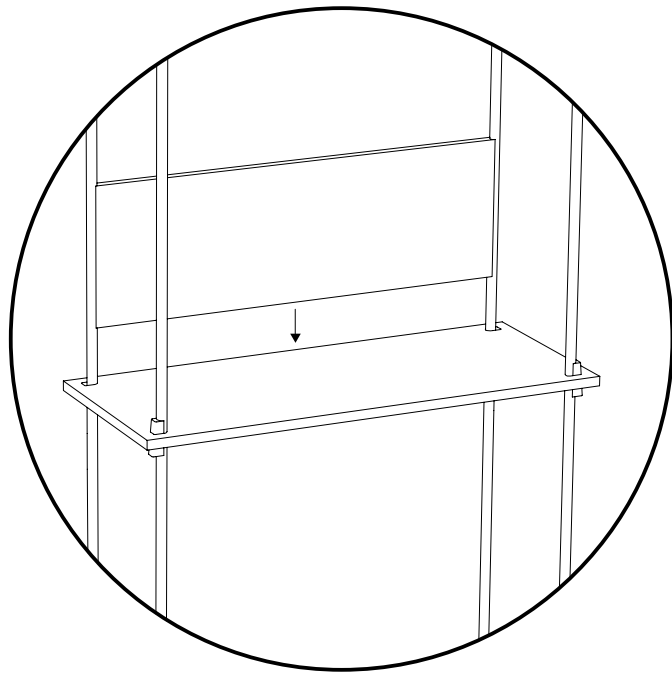
8.
INSTALLING A SAFETY CLIP

When all the shelves are in place, slide the safety clip down the legs that meet the wall. Once in place, mark where to drill, make a hole, and then install with the screw. Remember to use adequate wall plugs for your wall type.



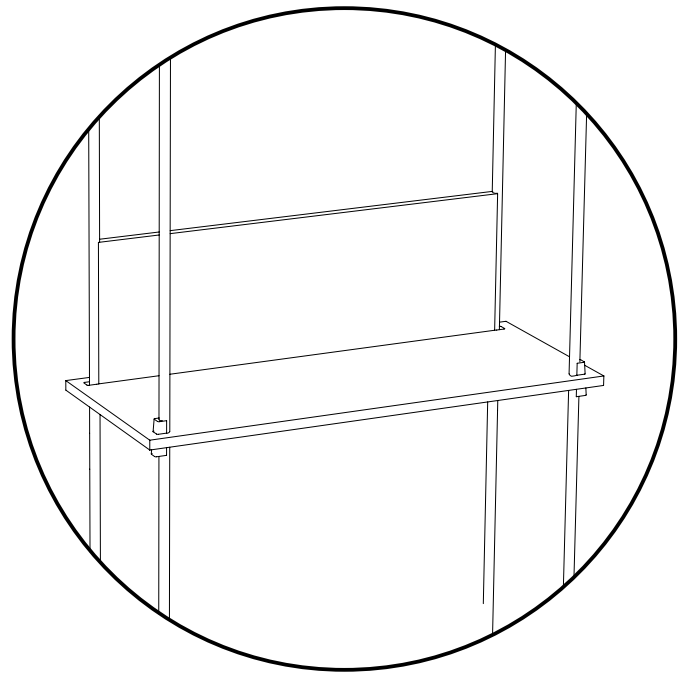
SHELVING SYSTEM

Assembly of backplate



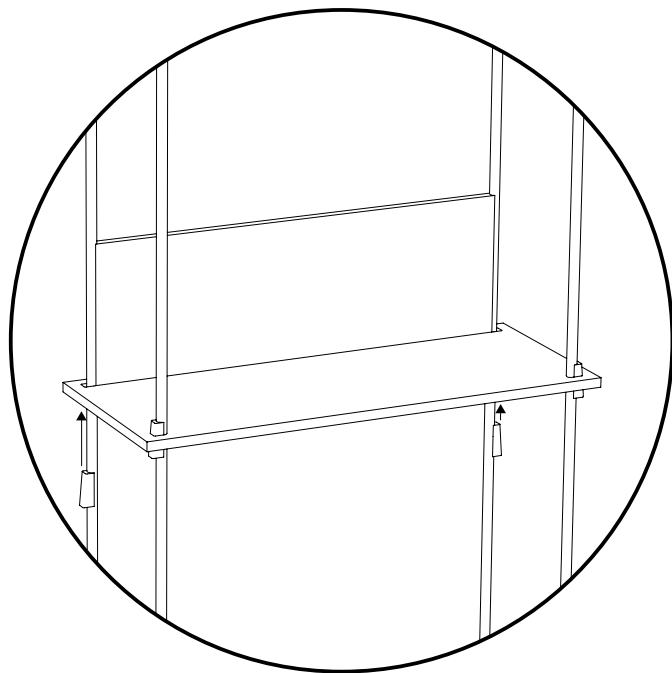
1

Wait with pushing in the wedges on the inner side of the shelf. Slide down the backplate between the legs on this side.



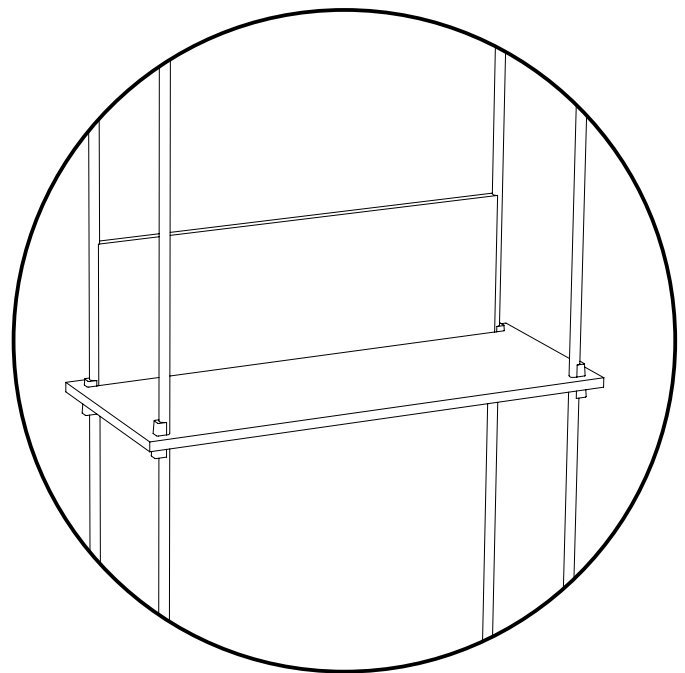
2

Push the backplate down until it sits on the shelf underneath.



3

Push in the two inner wedges simultaneously to secure the backplate. Make sure they come up equally high on each side.



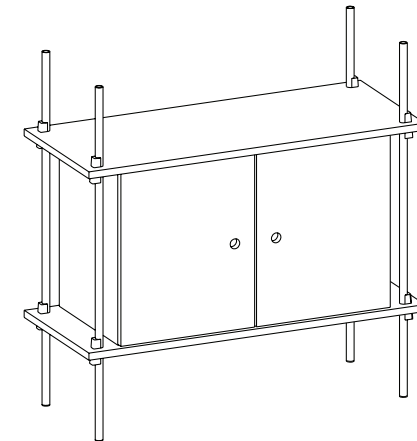
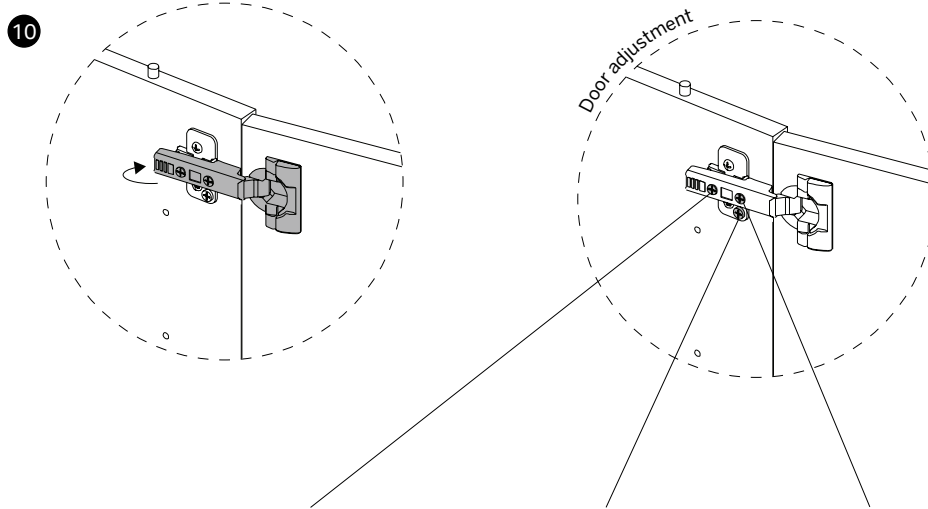
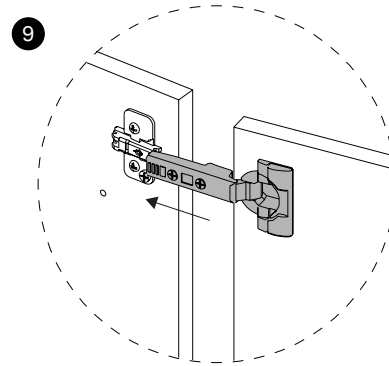
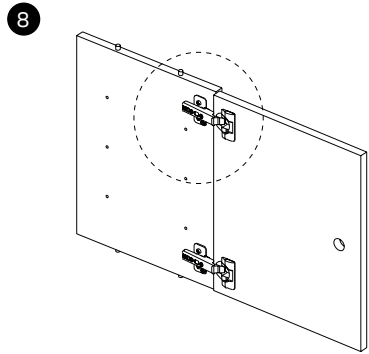
4

Hammer the wedges as much as possible. They will not come up as far as the rest of the wedges.

ASSEMBLY INSTRUCTION

CABINET

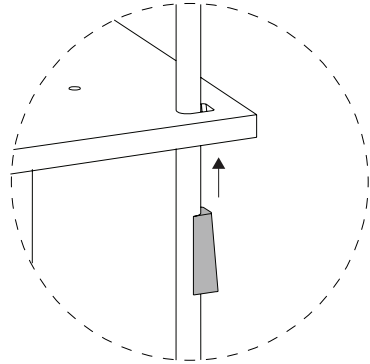
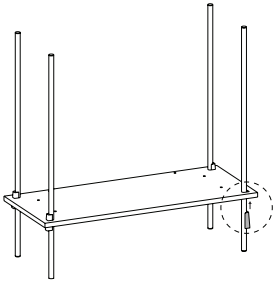
SHELVING SYSTEM



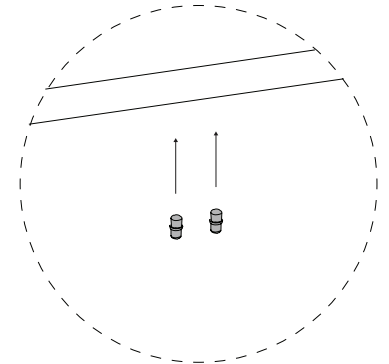
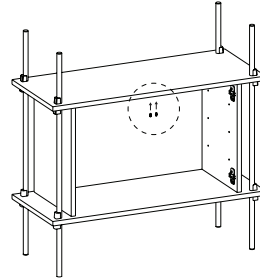
Box 1
2x Shelves
4x Wedges

Box 2
2x Sides
2x Doors
2x Hinges
12x Dowels
2x Pins

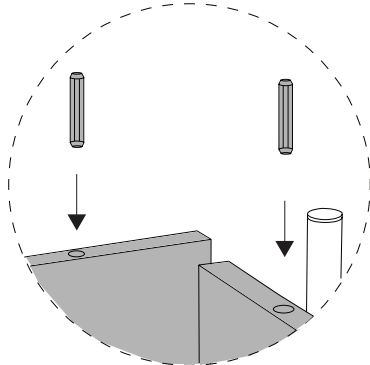
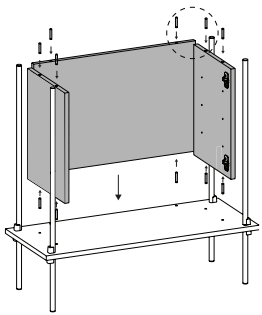
1



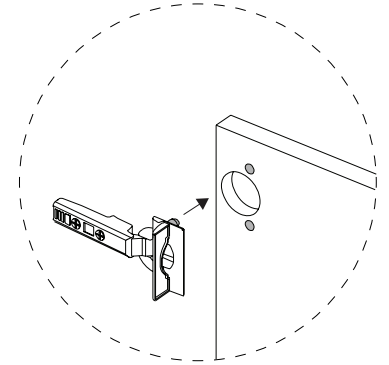
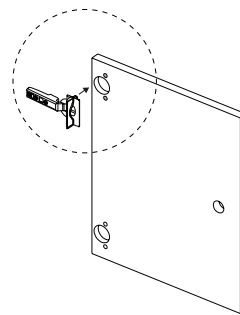
4



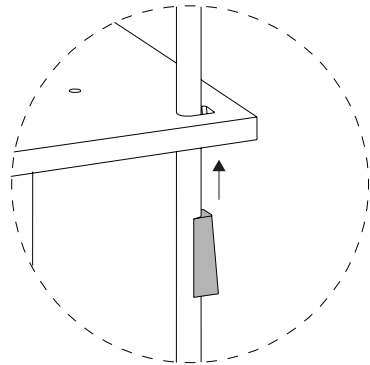
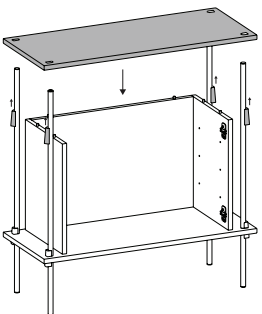
2



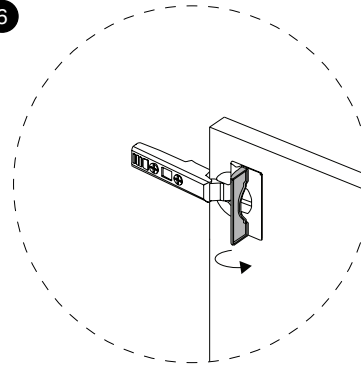
5



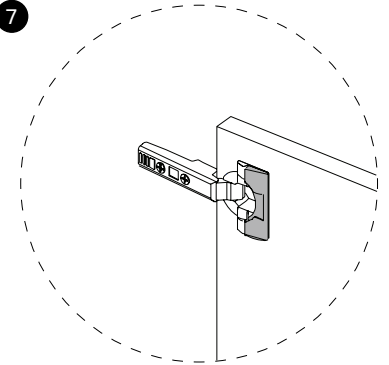
3



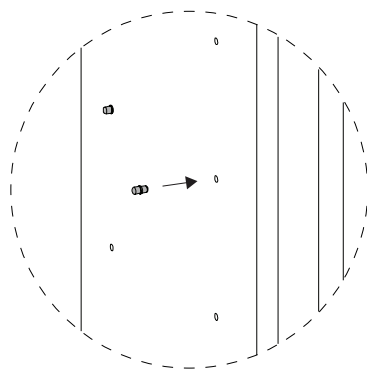
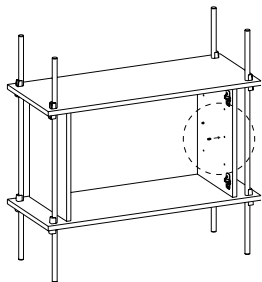
6



7



1

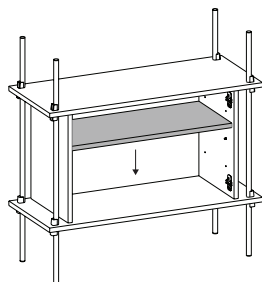


ASSEMBLY INSTRUCTION

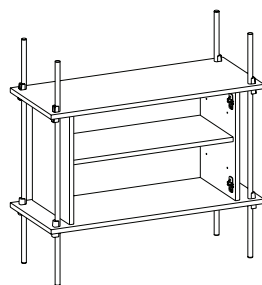
INNER SHELF

SHELVING SYSTEM

2

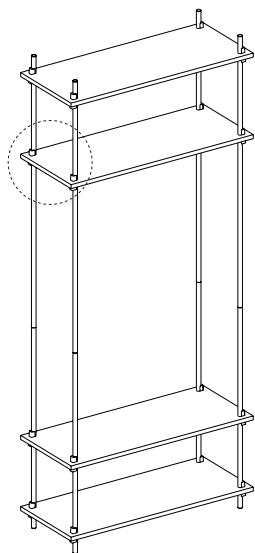
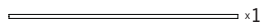


3

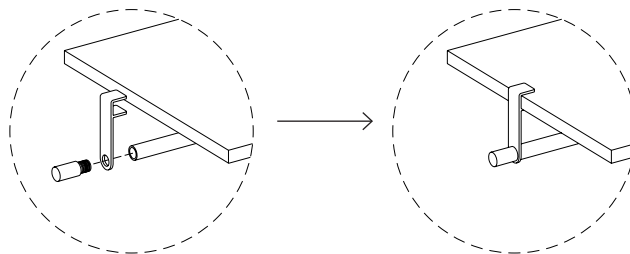


1x Shelf
4x Pins

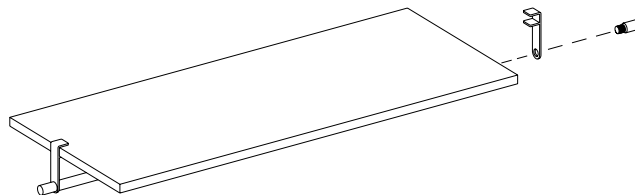
Parts in the box:



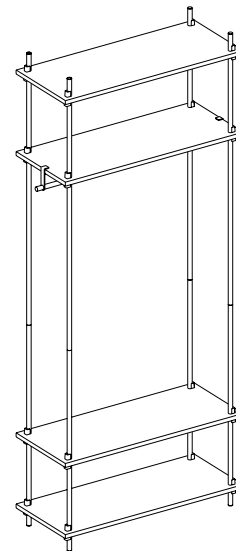
- 1** The clothes bar is simply fastened onto each end of a shelf.



- 2** Attach the grabbing piece by pressing it onto one end of a shelf. Place the bar against the hole and fasten it by screwing on the end piece.



- 3** Repeat step two on the other side of the shelf.



- 4** Done!