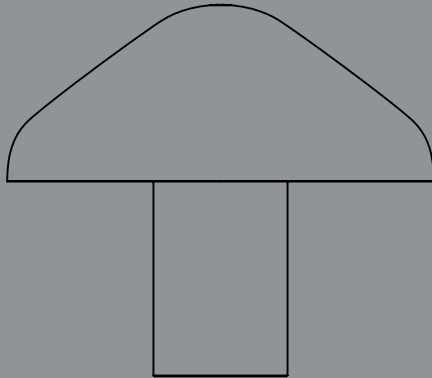


- INSTRUCTION MANUAL -

PAO GLASS TABLE LAMP



DESIGN BY NAOTO FUKASAWA

HAY

The Pao collection of lamps is an exciting collaboration with established Japanese designer Naoto Fukasawa. Named after the soft, glowing shape of traditional Mongolian Pao tents illuminated at night-time, Fukasawa set out to encapsulate the same atmospheric warmth and friendliness in the Pao Table Lamp. Pao draws on Fukasawa's aesthetic of beautiful simplicity; creating an everyday object that draws on design values existing in the natural world. By keeping the aesthetics modest and simple, he brings the design into harmony with its environment, reinforcing his primary intention of making the atmosphere pleasant and comfortable. In the Pao Table Lamp, Naoto Fukasawa has developed a way of concealing the custom LED light source from view, keeping it nestled inside the shade to give the lamp a clean, unbroken visual identity. Both base and shade are made in opal glass, offering a functionality and deliberate simplicity of design that make them suitable for a wide range of spaces and uses in domestic and corporate environments.

TECHNICAL DATA

This product is supplied with an integrated LED module (2600k warm white, 700 lumen). The expected lifespan of the LED module is 25,000 hours, which equates to 8-10 years of general use. When the light source reaches its end of life, the whole luminaire should be replaced.

ATTENTION

Ensure that the power supply to the circuit has clearly been turned OFF before installing the product. In some countries, electrical installation must be carried out by authorised electricians/contractors; please check with your local authority for guidance. The product must not be modified in any way. HAY accepts no responsibility for any products that have been modified or tampered with. The external flexible cable or cord of this luminaire cannot be replaced. If the cord is damaged, the luminaire should be replaced. This lamp is designed for indoor use only.

NOTE: This equipment has been tested and found to comply with the limits for a Class B digital device, pursuant to part 15 of the FCC Rules. These limits are designed to provide reasonable protection against harmful interference in a residential installation. This equipment generates, uses and can radiate radio frequency energy and, if not installed and used in accordance with the instructions,

may cause harmful interference to radio communications. However, there is no guarantee that interference will not occur in a particular installation. If this equipment does cause harmful interference to radio or television reception, which can be determined by turning the equipment off and on, the user is encouraged to try to correct the interference by one or more of the following measures:

- / Reorient or relocate the receiving antenna.
- / Increase the distance between the equipment and receiver.
- / Connect the equipment into an outlet on a different circuit to the one the receiver is connected to.
- / Consult the dealer or an experienced radio/TV technician for help.

CAUTION: Changes or modifications not expressly approved by the party responsible for compliance could void the user's authority to operate the equipment.

CARE AND MAINTENANCE

The product can be cleaned with a soft damp cloth and mild detergent, or a dry microfiber cloth. Do not use alcohol or any other solvents to clean the product and avoid using abrasive or rough sponges. Ensure that the power supply has been turned OFF before cleaning the product.

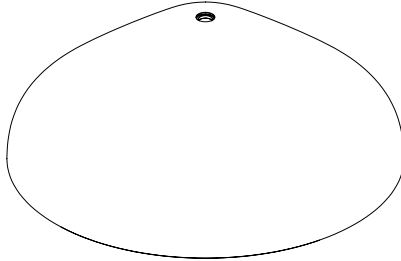


- PARTS -

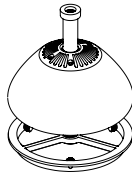
Top screw



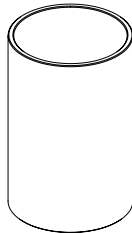
Shade



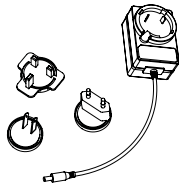
Light source



Base



Transformer

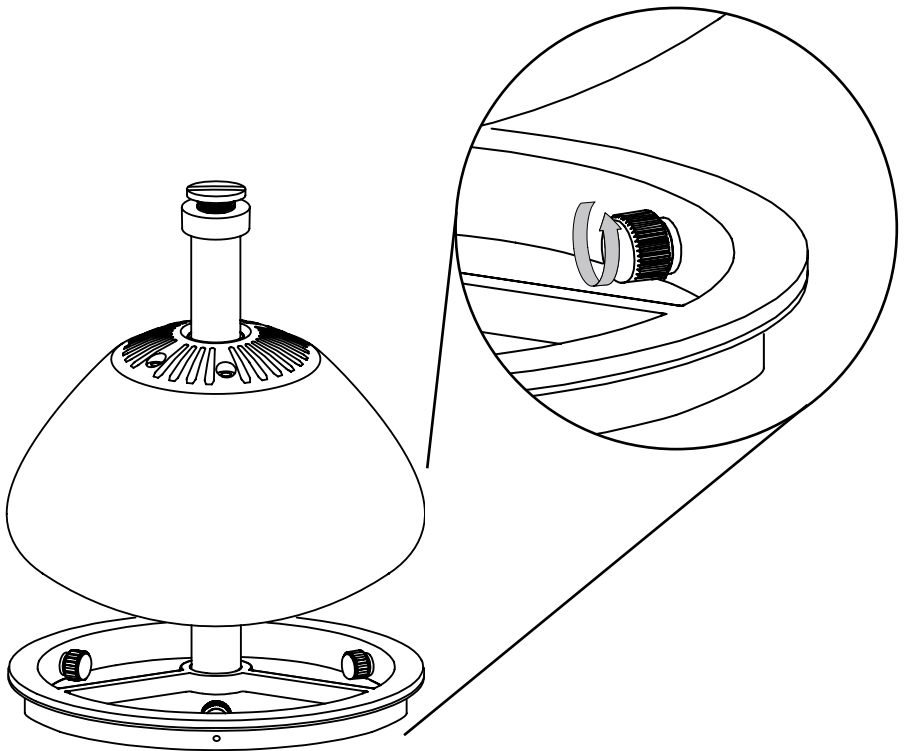


Please note that the parts shown are packaged in three separate boxes.

1.

It is important to take extra care when assembling the Pao Table lamp. Follow the instructions carefully and only assemble the lamp on a flat, stable surface, where it is not in danger of falling over. When moving the lamp, make sure you always lift it by the base, not the shade.

Loosen the three screws on the bracket underneath the light source.



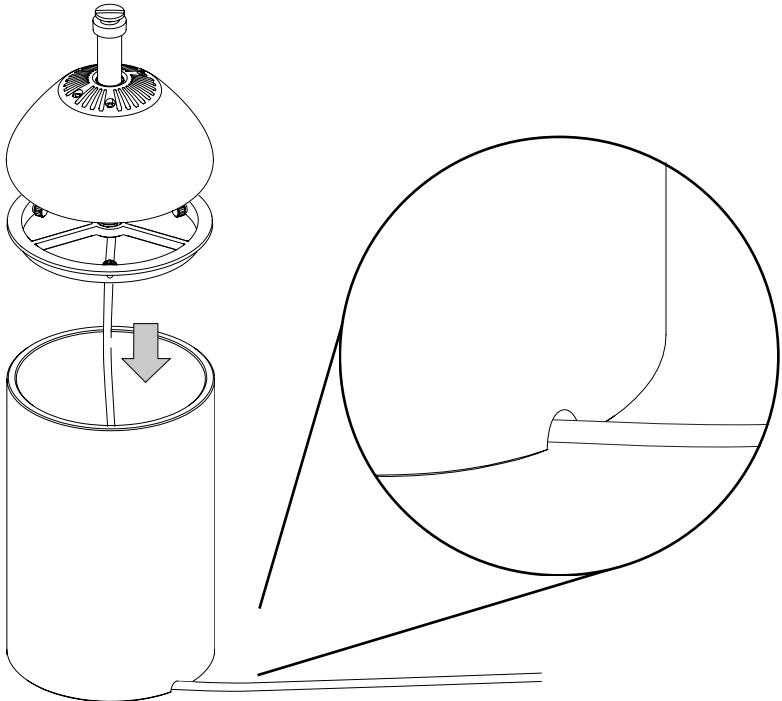
2.

Place the light source carefully on top of the base. Pull the cable through the base, so it exits the mousehole at the bottom of the base.



ATTENTION

Place the light source carefully
on top of the base.

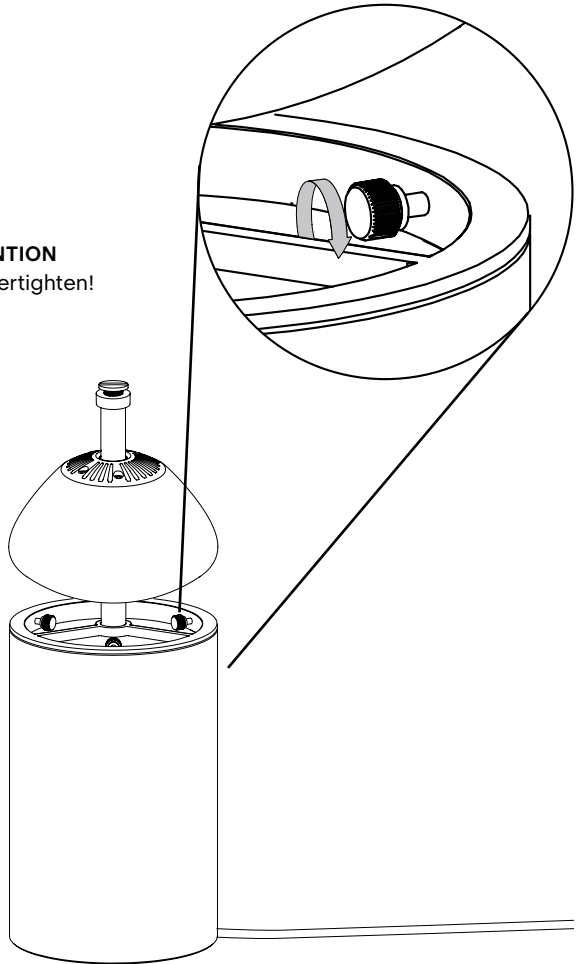


3.

Centre the light source on the base and tighten the three screws carefully again. Tighten the screws evenly so that the light source stays centred on the base.

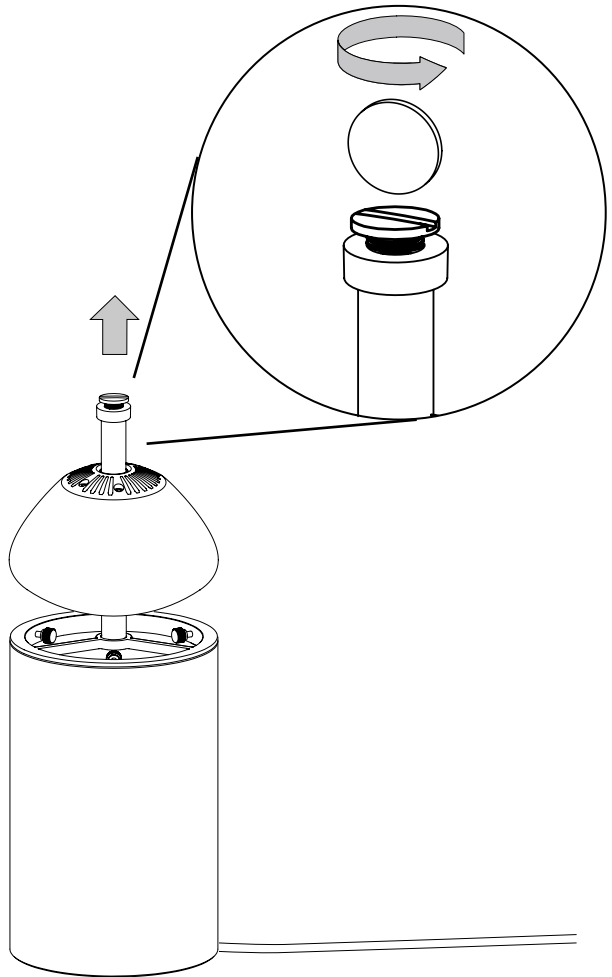


ATTENTION
Do not overtighten!



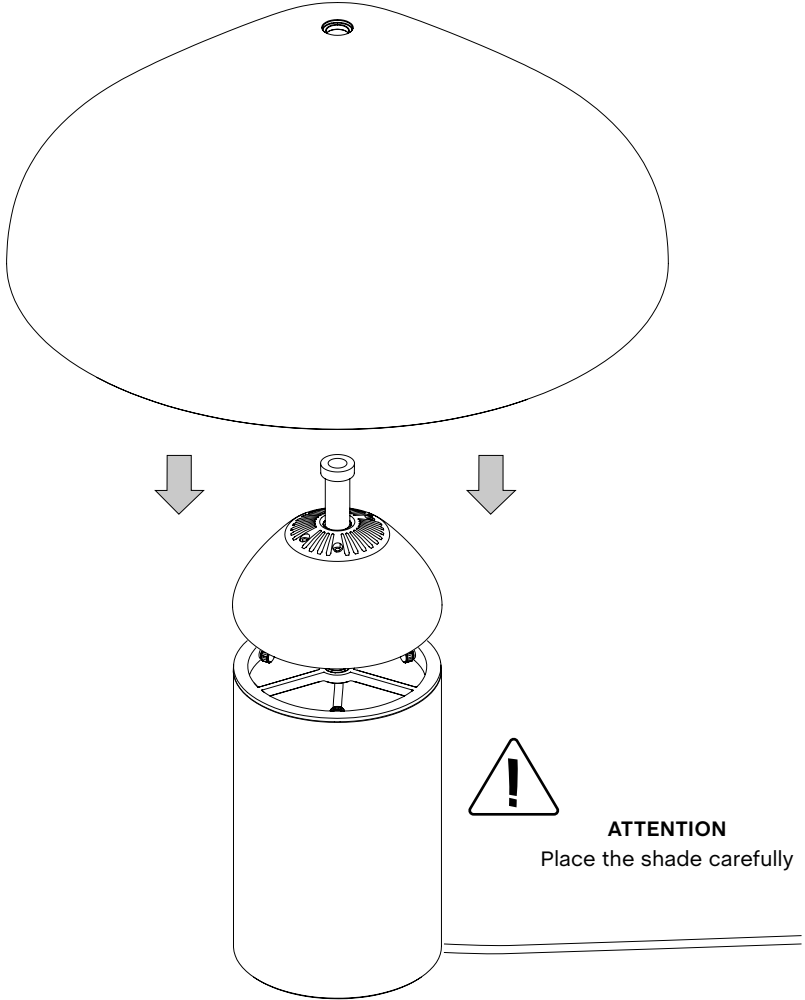
4.

Loosen the top screw with a flat screwdriver or a small coin.



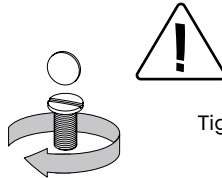
5.

Place the shade carefully on top of the light source.
Make sure that the rubber washer is in place on top of the light source before
mounting the shade.



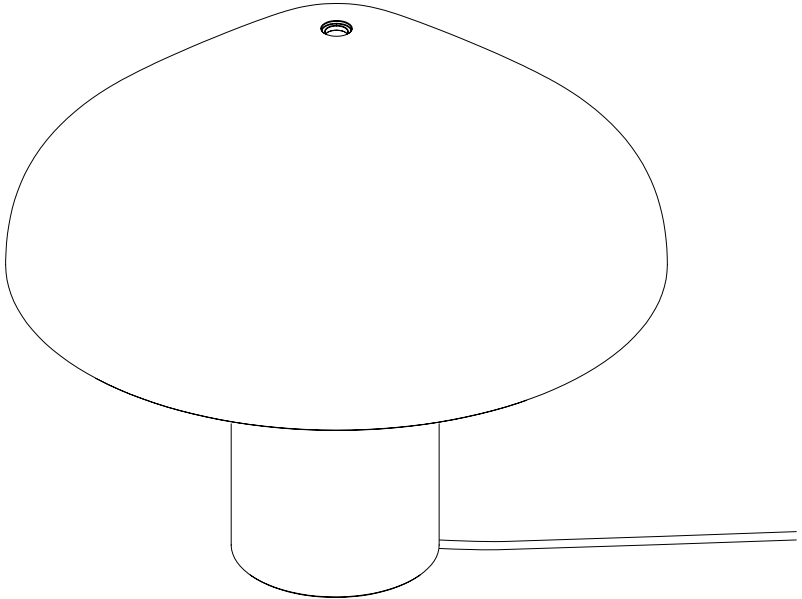
6.

Carefully retighten the top screw with a coin or flat head screwdriver. The screw must be tightened properly to secure and level the shade. Take care not to overtighten the screw as this may damage the shade.



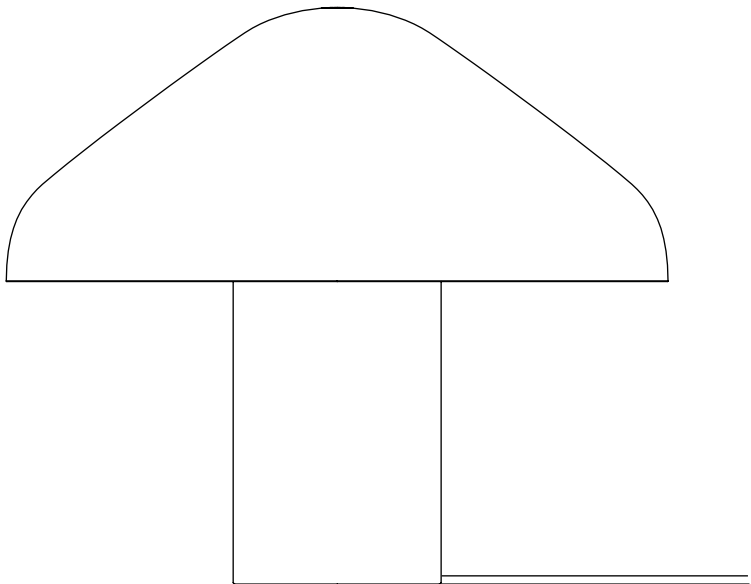
ATTENTION

Tighten the screw carefully.



7.

The top of the screw should be flush with the top of the shade when assembled, resulting in a visually clean side view, as pictured below.



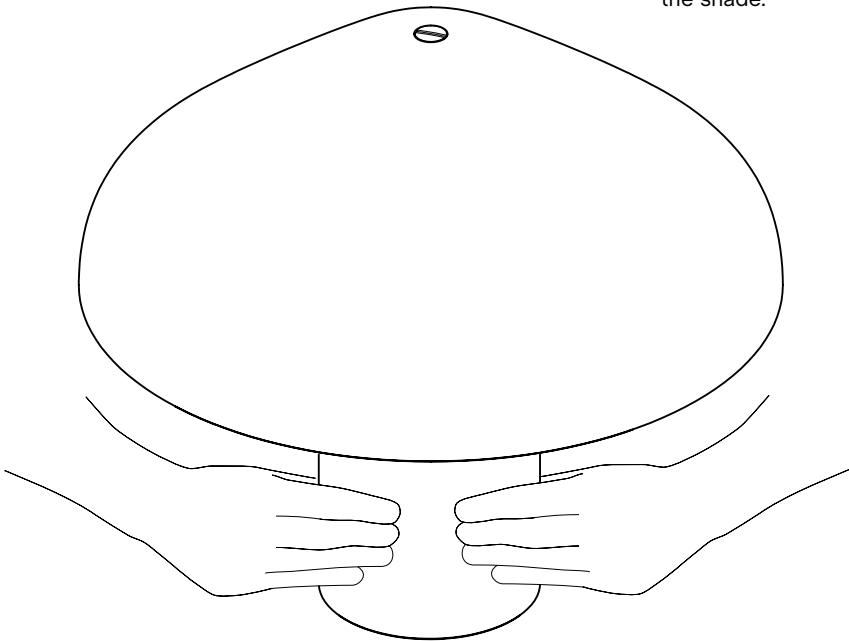
8.

If the assembled lamp is to be moved, make sure to hold it by the base. Never hold or carry the lamp by the shade.



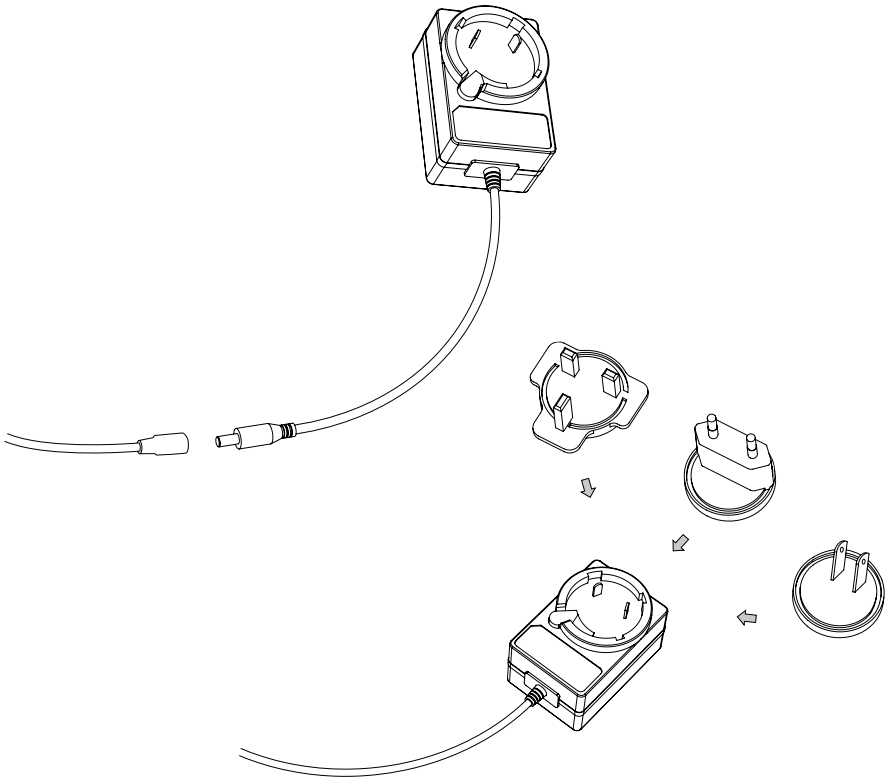
ATTENTION

Never hold or carry the lamp by the shade.



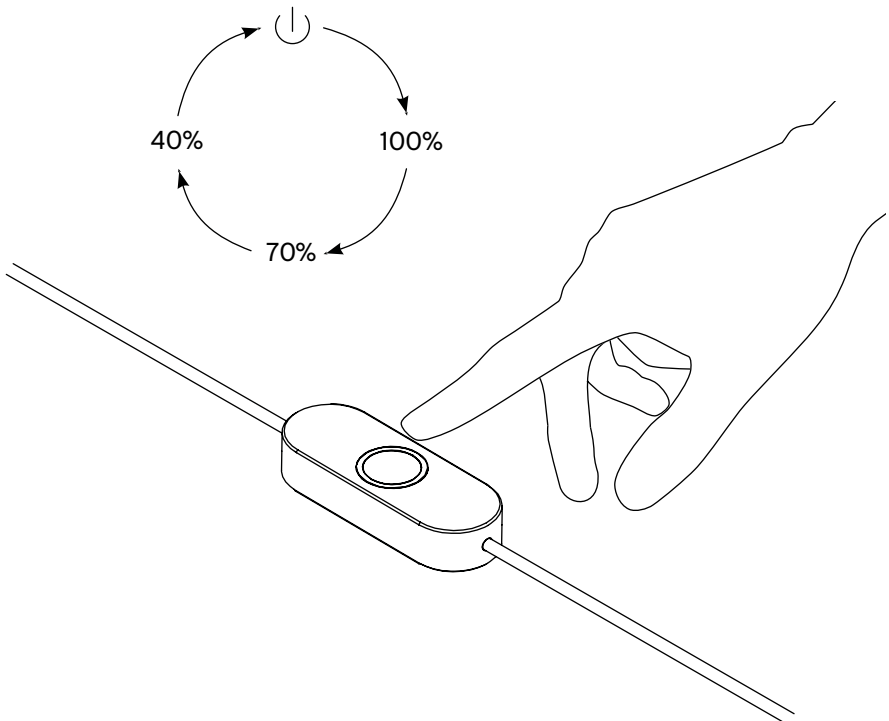
9.

Plug the trailing cable into the power supply. Attach the correct adapter for your region. The lamp is now ready to use.



10.

The lamp's inline switch has a three-setting dimmable feature. The first sets the lamp to maximum brightness, the second sets to medium brightness and the third sets to lowest brightness. A fourth push will turn the lamp off.



Havnen 1 8700 Horsens Denmark
+45 4282 0282 / hay@hay.com

711 Canal St. 3rd Floor Stamford CT 06902 United States
www.hay.com

21/01/2021

HAY