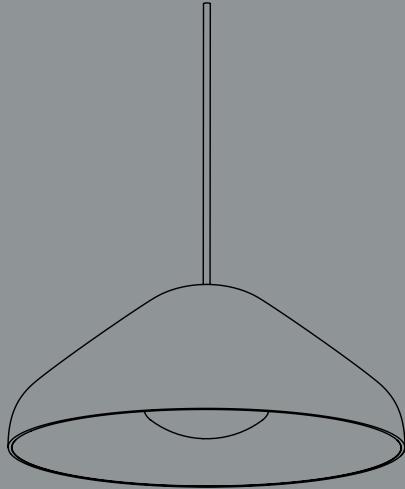


- INSTRUCTION MANUAL -

PAO GLASS PENDANT



DESIGN BY NAOTO FUKASAWA

HAY

The Pao collection of lamps is an exciting collaboration with established Japanese designer Naoto Fukasawa. Named after the soft, glowing shape of traditional Mongolian Pao tents illuminated at night-time, Fukasawa set out to encapsulate the same atmospheric warmth and friendliness in the Pao Glass Pendant. Pao draws on Fukasawa's aesthetic of beautiful simplicity; creating an everyday object that draws on design values existing in the natural world.

By keeping the aesthetics modest and simple, he brings the design into harmony with its environment, reinforcing his primary intention of making the atmosphere pleasant and comfortable. In the Pao Glass Pendant, Fukasawa has developed a custom LED light source and diffuser, which is nestled within the opal glass shade, offering a functional output of light, whilst still enabling a warm, homely glow. Their functionality and the deliberate simplicity of the design make them suitable for a wide range of spaces and uses in domestic and corporate environments.

TECHNICAL DATA

This product is supplied with an integrated LED module (2600k warm white, 700 lumen). The expected lifespan of the LED module is 25,000 hours, which equates to 8-10 years of general use. When the light source reaches its end of life, the whole luminaire should be replaced.

ATTENTION

Ensure that the power supply to the circuit has clearly been turned OFF before installing the product. In some countries, electrical installation must be carried out by authorised electricians/contractors; please check with your local authority for guidance. The product must not be modified in any way. HAY accepts no responsibility for any products that have been modified or tampered with. The external flexible cable or cord of this luminaire cannot be replaced. If the cord is damaged, the luminaire should be replaced. This lamp is designed for indoor use only.

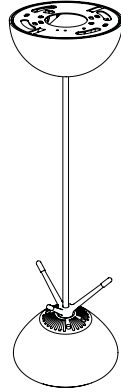
CARE AND MAINTENANCE

The product can be cleaned with a soft damp cloth and mild detergent, or a dry microfiber cloth. Do not use alcohol or any other solvents to clean the product and avoid using abrasive or rough sponges. Ensure that the power supply has been turned OFF before cleaning the product.

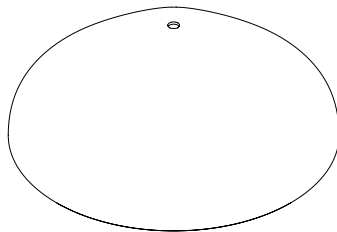


- PARTS -

Ceiling Canopy
with Steel Bracket &
LED Driver



Light Source



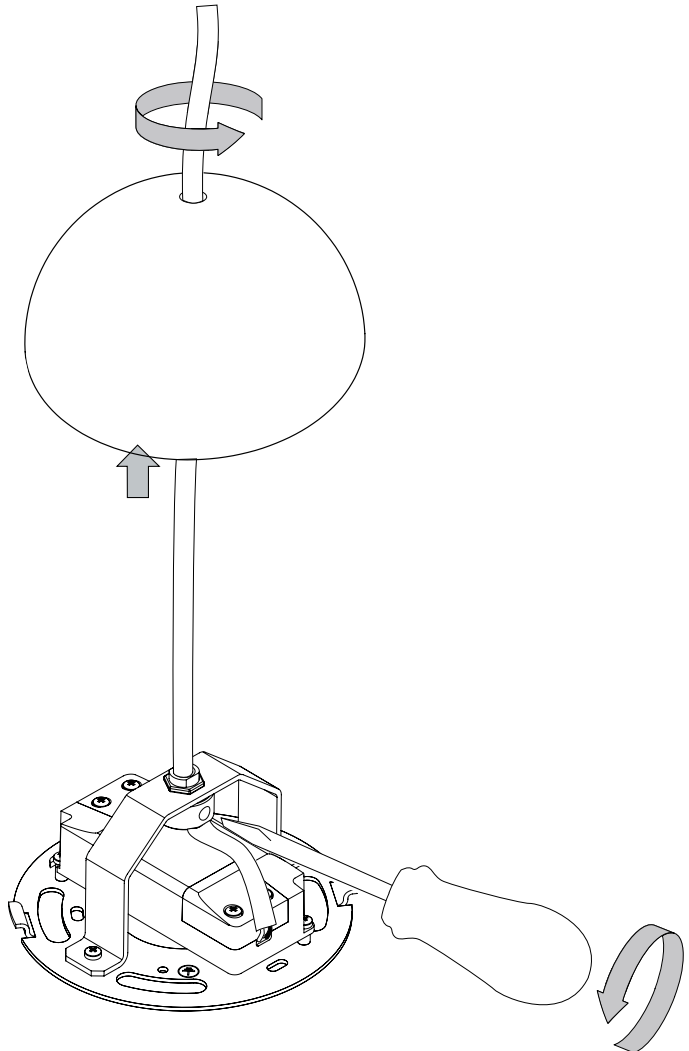
Shade

Please note that the parts shown are packaged in two separate boxes.

1.

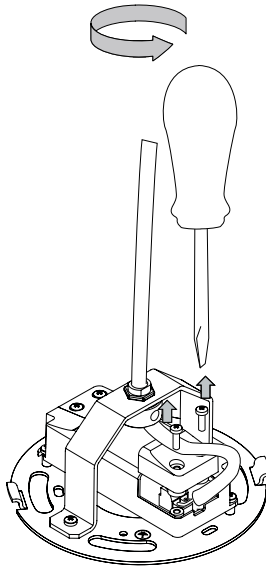
It is important to take extra care when assembling the Pao Glass Pendant. Follow the instructions carefully and only suspend the lamp from a reliable ceiling, where it is not in danger of falling down.

Make sure that the mains power is turned off before installing the lamp. To remove the plastic ceiling canopy, twist it counter-clockwise and pull away from the internal steel bracket. Loosen the cable grip with a screwdriver and carefully pull a section of the cable through the cord grip to allow for some movement while removing the cable from the LED driver.



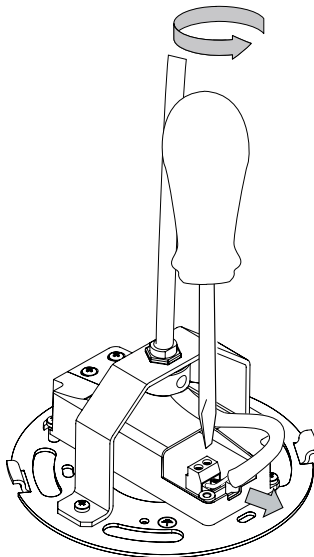
2.

Loosen the two screws holding the terminal cover and remove the terminal cover.



3.

Loosen the screws on the terminal block and remove the cable, pulling it through the cable grip.



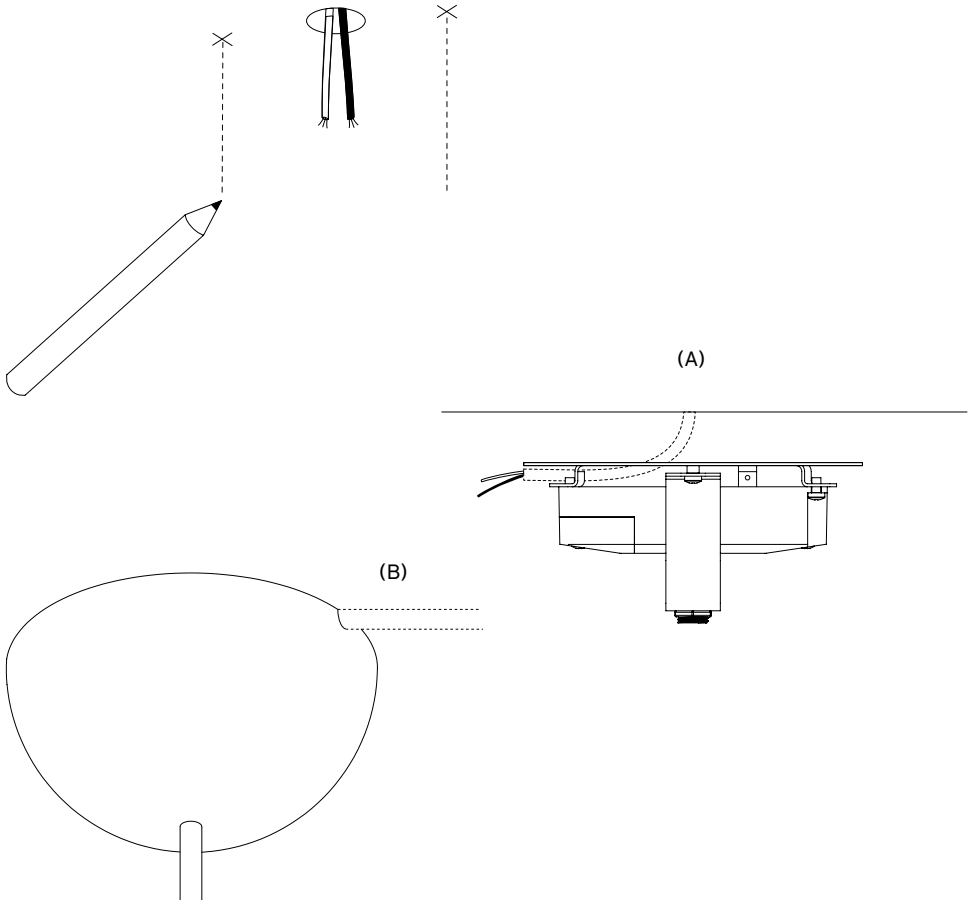
4.

Use a pencil to mark fixing holes in the ceiling where the pendant is to be mounted. If there is a junction box in the ceiling, then the steel bracket has slots which can be used in conjunction with standard European and US junction boxes. If relevant, the input mains cable can be inserted through the centre hole in the steel bracket and passed beneath the LED driver (A). The input mains cable can also be inserted through the mousehole on the side of the plastic ceiling canopy (B), if needed.



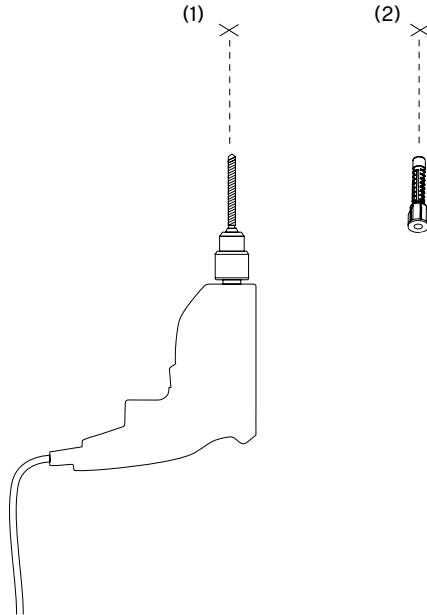
ATTENTION

Ensure that the mains power is OFF.



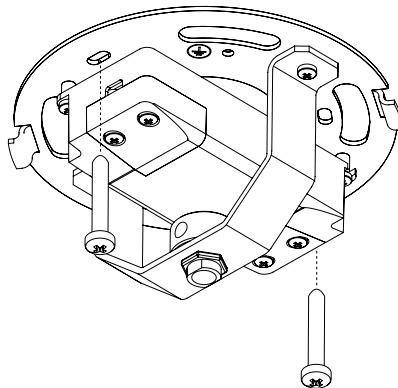
5.

Drill holes and insert wall plugs. Ensure you use the correct type of drill and wall plug for the type of ceiling you are drilling into.



6.

Screw the ceiling bracket to the ceiling, using the appropriate screws for the wall plugs used.



7.

Trim the cable to the desired length, leaving 35mm of basic single insulation exposed for wiring and 3mm of exposed cable with no insulation. The cable is fitted with an internal fibre support cable for securing the weight of the glass shade. Leave approximately 50mm of the fibre support cable exposed for support.

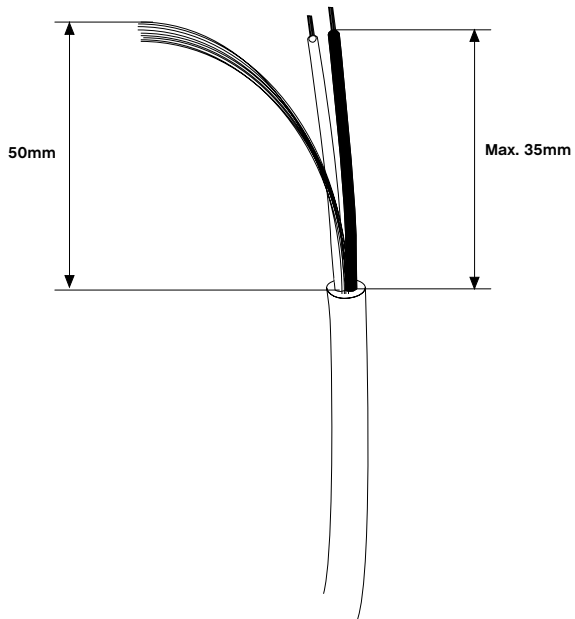


ATTENTION

Blue cable (LED -)

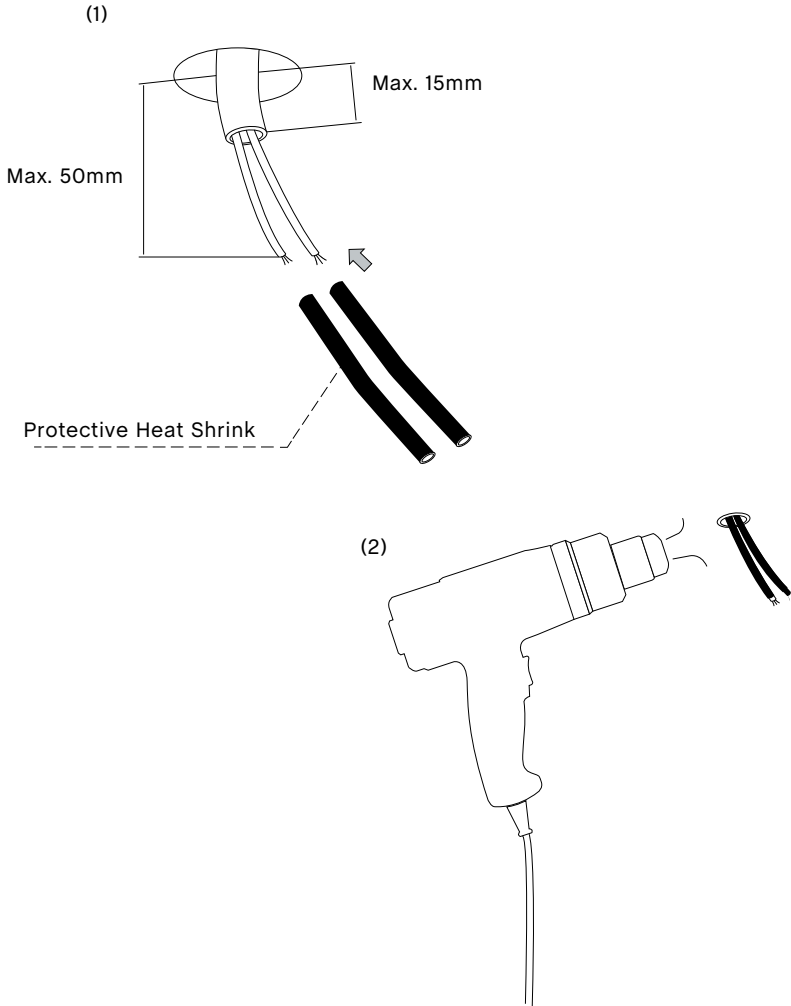
Brown cable (LED +)

Yellow fibre cable for support



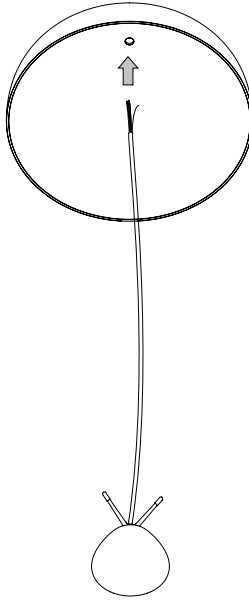
8.

It is advised that any wire exposed with just a single basic layer of insulation is covered with the protective heat shrink provided. (Two sleeves for the basic insulated wire and one sleeve for covering the opening of the source cable). A heat gun can be used to shrink and fix this protective insulation in place (2). The double insulated mains power cable that connects to the LED driver should have a diameter between $2 \times 0.75\text{mm}^2$ - $2 \times 1.5\text{mm}^2$.



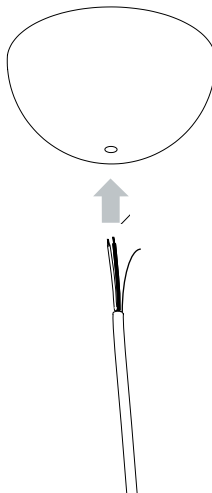
9.

Carefully unbox the glass shade and pass the cable from the light source through the hole at the top of the shade.



10.

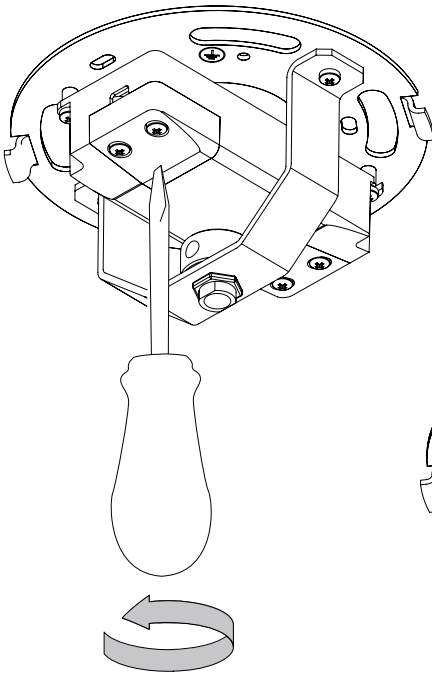
Insert the cable from the light source through the hole in the ceiling canopy.



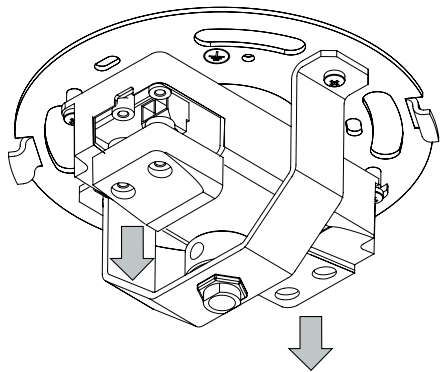
11.

Loosen the screws on the terminal covers on the LED driver and remove both terminal covers.

(1)

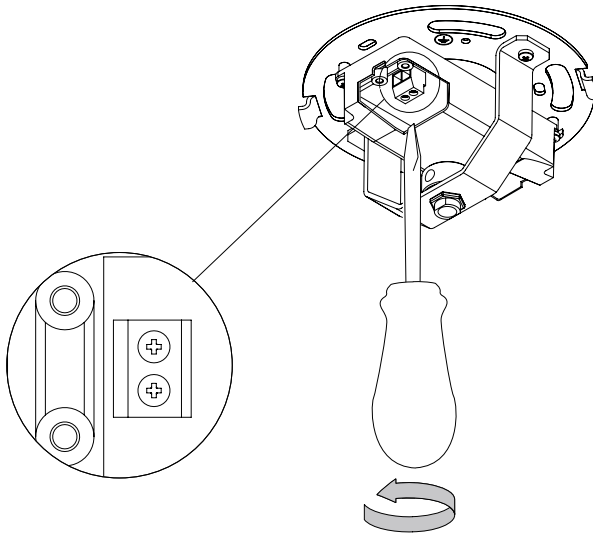


(2)



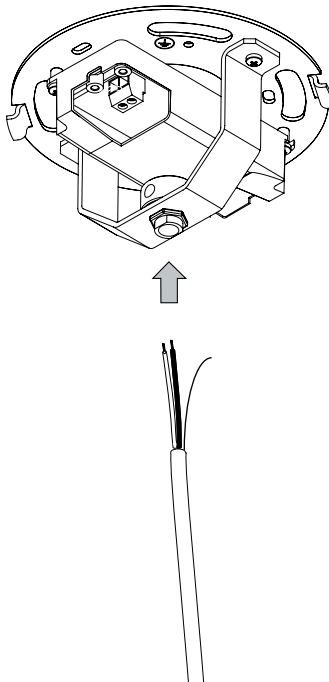
12.

Loosen the screws on the terminal blocks so that the cable can be inserted when wiring.



13.

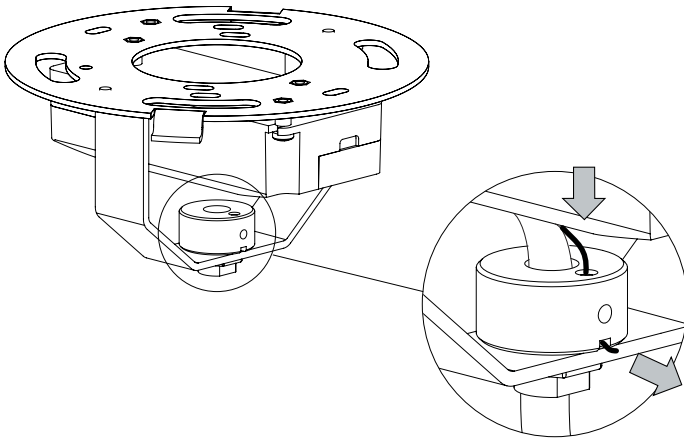
Insert the cable from the light source through the cable grip.



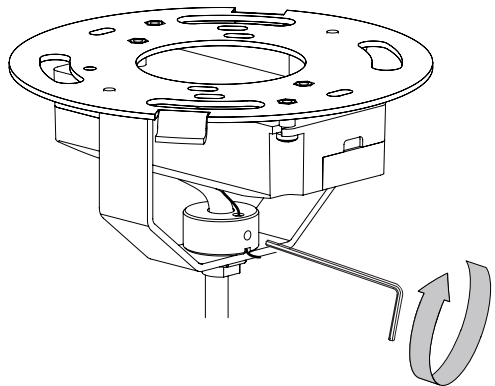
14.

After inserting the cable through the cable grip, as shown in the previous step, locate the fibre support cable and feed it through the small hole next to the exit hole on the cable grip (1). Once the fibre support cable has exited the other side, as shown below, the smaller fixed screw on the side of the cable grip can be fastened with the provided hex key, securing the fibre support cable in place (2).

(1)



(2)



15.

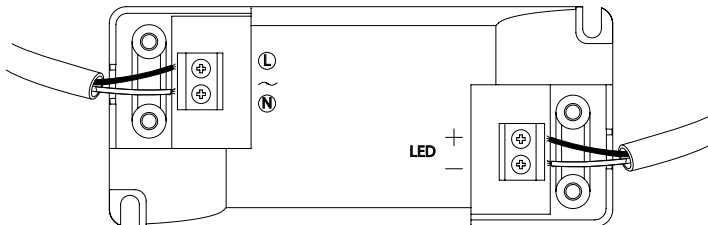
When wiring the LED driver, each cable is inserted into its respective slot in one of the two terminal blocks on the LED driver and then the corresponding screw is tightened to secure the cable in place. The cables from the light source are inserted into the right hand side terminal block on the LED driver, as shown below. Insert the brown cable (+) into the positive (+) slot and the blue cable (-) into the negative (-) slot. The mains cables are inserted into the left hand side terminal block on the LED driver. The live mains cable into the live (L) slot and the neutral mains cable into the neutral (N) slot. Make sure that all the cables are fixed firmly in place and not in danger of coming loose.



ATTENTION

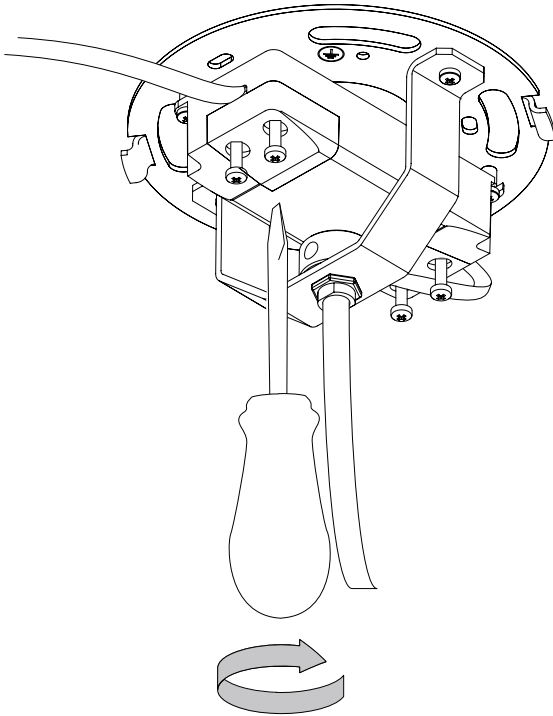
Blue cable (LED -)

Brown cable (LED +)



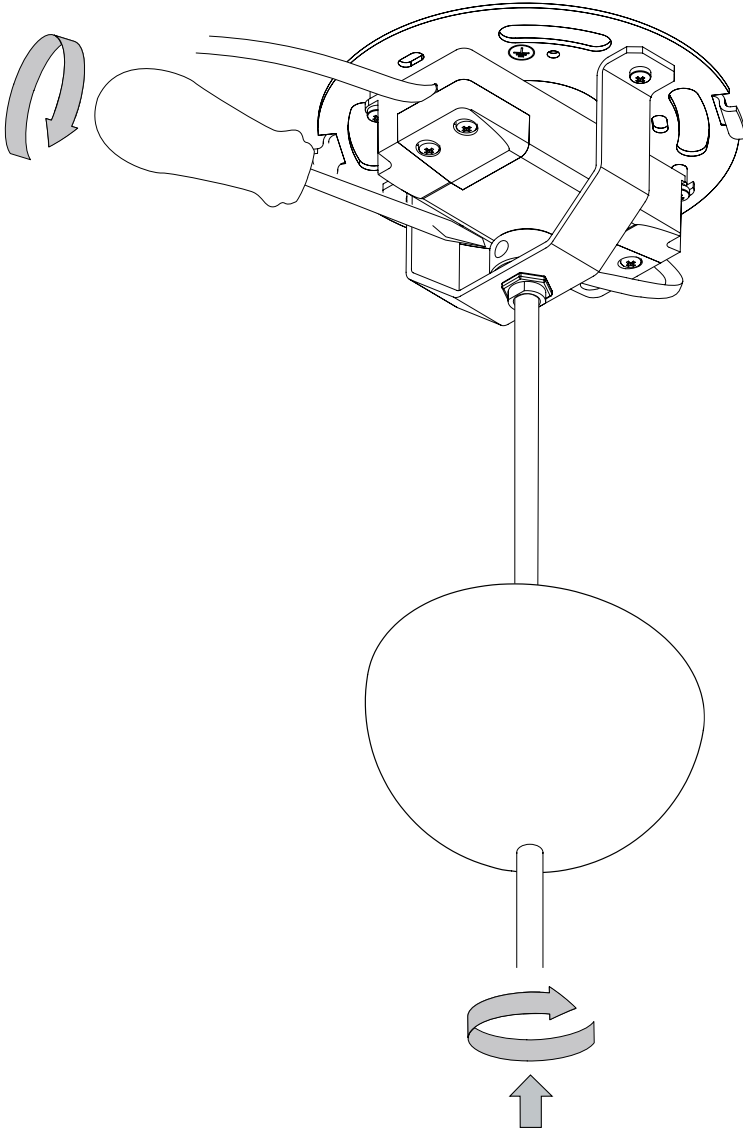
16.

Once all the cables are fixed firmly in place, the terminal covers can be screwed back onto the LED driver.



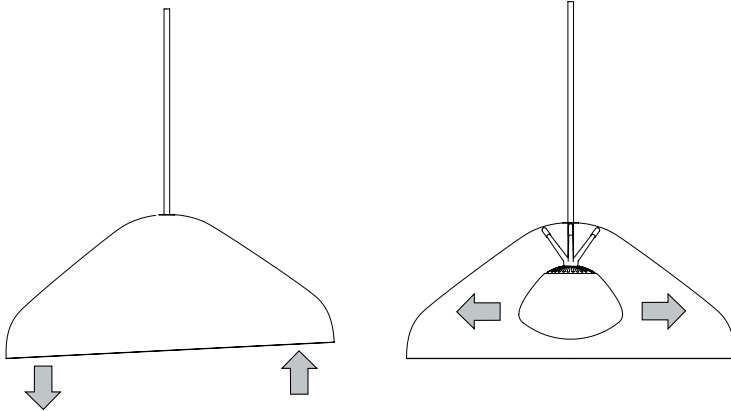
17.

Adjust the cable from the light source, making sure that it is not pulling on the LED driver or in way of the plastic canopy. Tighten the cable grip again and make sure that the cable cannot be moved. The plastic canopy can now be replaced on the bracket.



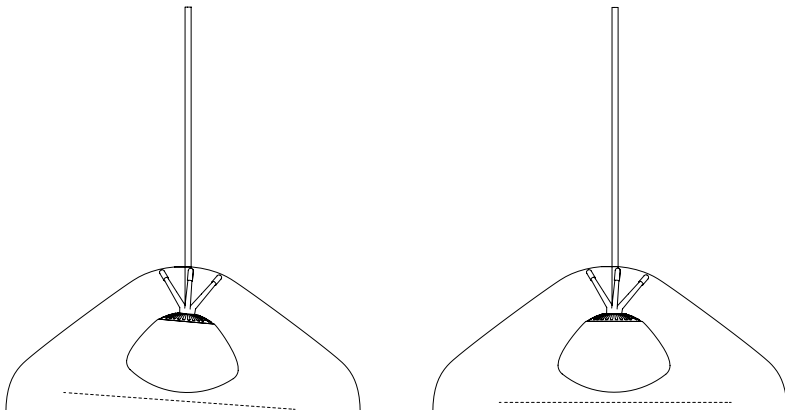
18.

Due to the handmade manufacturing of the glass shade, some shades will have a slight difference in the distribution of weight, which can cause them to tilt slightly. If this happens, you should reposition the three supportive legs inside the shade, adjusting them until the shade is level.



19.

The light source features a ball and socket joint, which allows the glass diffuser to be visually aligned within the shade, if necessary. Carefully take hold of the glass diffuser and gently tilt it until it is visually level within the shade. The lamp is now ready for use.



Havnen 1 8700 Horsens Denmark
+45 4282 0282 / hay@hay.com

06/11/2020

HAY