

FROST
D E N M A R K

SOAP & DISINFECTANT TOUCH FREE DISPENSER

...

PRODUCT DETAILS, TECHNICAL DETAILS AND MOUNTING INSTRUCTIONS

The FROST Soap & Disinfectant Touch Free Dispenser consists of a touch free dispenser and additional table and floor dispenser stands. The refillable container holds 500 ml (17 oz) liquid soap or hand disinfection gel, equivalent to approx. 600 doses. The dosage is released once when your hand is held 5-15 cm (2-6 in) below the dosage nozzle.

By choice, the dispenser is either wall mounted or easily fixed to the table or floor dispenser stands.

The FROST Soap & Disinfectant Touch Free Dispenser combines hygiene with aesthetics and offers an elegant minimalistic design solution for the modern interior space. The design compliments all FROST products.

The dispenser is available in all nine FROST finishes.
The stands are available in Matt Black or Matt White.

The FROST Soap & Disinfectant Touch Free Dispenser is part of the NOVA2 series designed by Bønnelycke mdd.

SOAP & DISINFECTANT DISPENSER

touch free, with lock, 500 ml
f/ wall or dispenser stands

Stainless Steel
Height: 217 mm
Diameter: Ø89 mm
Projection: 112 mm
CC: 114 mm



Brushed
Stainless
N1978



Brushed
Copper
N1978-BOC



Brushed
Gold
N1978-BMG



Brushed
Black
N1978-BCB



Polished
Stainless
O1978



Polished
Copper
N1978-C



Polished
Gold
N1978-GO



Matt
Black
N1978-B



Matt
White
N1978-W

**TABLE DISPENSER STAND
for Soap & Disinfectant Dispenser**

Stainless Steel
Height: 500 mm
Diameter: Ø32 / Ø180 mm
Projection: 180 mm



Matt Black
N1978-1-B



Matt White
N1978-1-W



Brushed Stainless
N1978-1

**FLOOR DISPENSER STAND
for Soap & Disinfectant Dispenser**

Stainless Steel
Height: 1200 mm
Diameter: Ø32 / Ø250 mm
Projection: 250 mm



Matt Black
N1978-2-B



Matt White
N1978-2-W



Brushed Stainless
N1978-2

DIMENSIONS AND DETAILS

Applicable power supply: DC9V (AA x 6)

Refill container capacity: Approx. 500 ml (17 oz) (approx. 600 doses)

Metered dose: 0.8 ml-6.5 ml (adjustable)

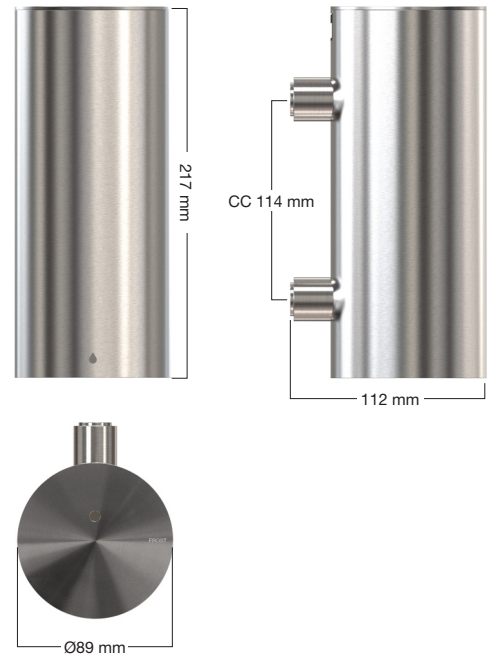
Ambient temperature: 0.1-45 °C

Sensing distance: 5-15 cm (2-6 in)

The dispenser is made from stainless steel AISI 304.

The dispenser stands are made from stainless steel AISI 304.

NOTE: The dispenser stands are sold separately.

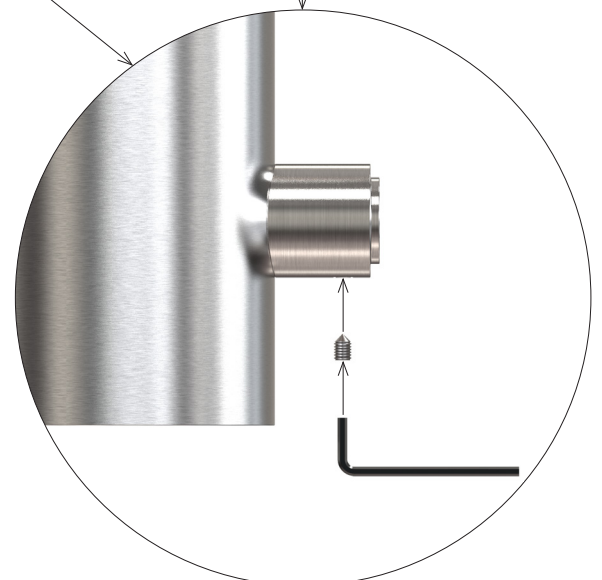
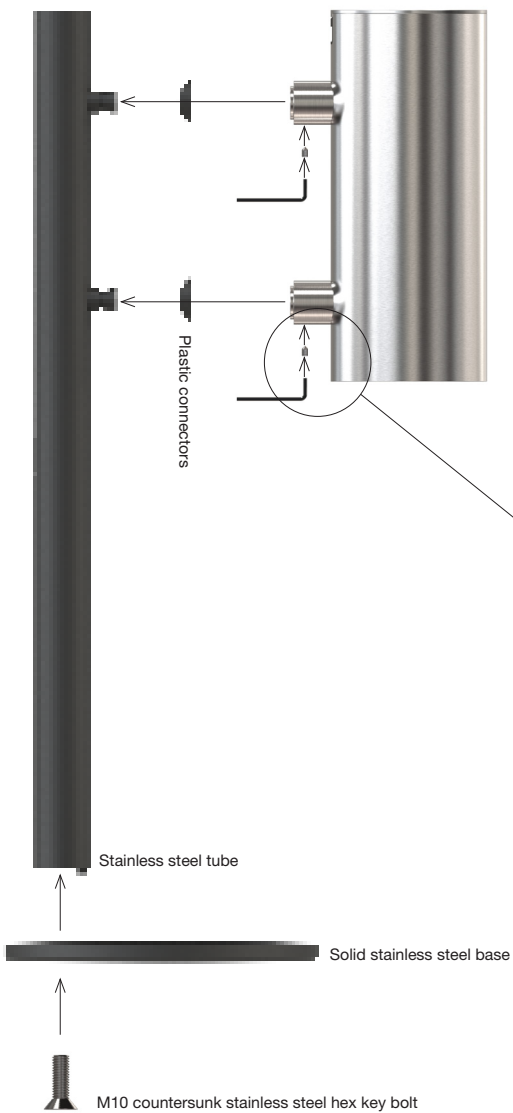
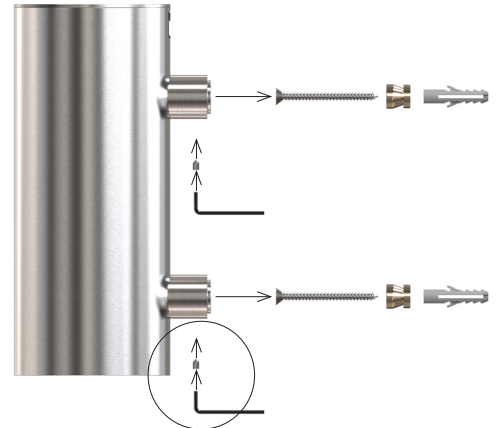


MOUNTING INSTRUCTIONS

By choice, the dispenser is either wall mounted or fixed to the additional dispenser stands. The stands are easily assembled with the included mounting accessories and the dispenser is as easily fixed to the stands.

Before mounting, please read instructions on the following pages.

NOTE: Do not mount the dispenser in the shower.



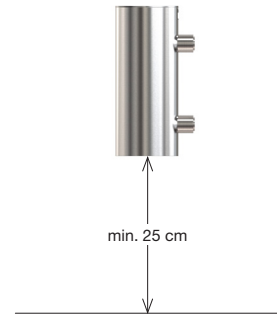
STEP 1: Mounting The Dispenser

Choose the placement for the dispenser.

①

The bottom of the dispenser must be mounted at least 25 cm from the nearest reflector or tabletop.

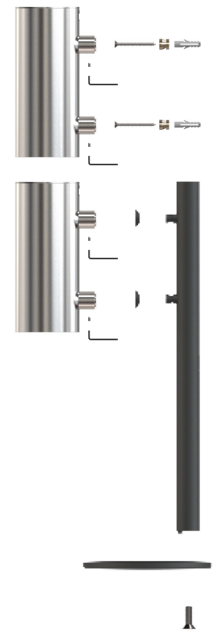
NOTE: Do not mount the dispenser in direct sunlight, be aware of reflective surfaces below the sensor and do not mount the dispenser in the shower.



②

Whether you choose to mount the dispenser on a wall or fix it to the additional dispenser stands, please see page 3 and 4 for the main measurements and mounting instructions.

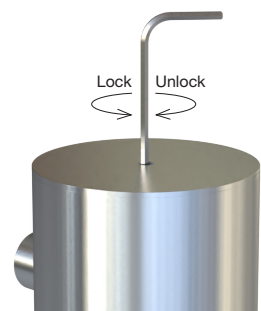
NOTE: Please use the two enclosed plastic connectors to mount the dispenser on the dispenser stands.



STEP 2: (re)Filling Liquid Container

①

Use the enclosed Hex Key to unlock the dispenser lid.



②

When the lid is removed simply fill the container with liquid soap or disinfection gel.

NOTE: Always use liquid with low viscosity, hence do not to use shampoo, conditioner or shower gel etc. Feel free to use the enclosed soap and disinfection gel stickers on for instance, the dispenser lid.

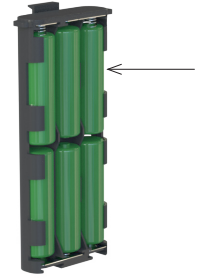


STEP 3: Insert / Change Batteries

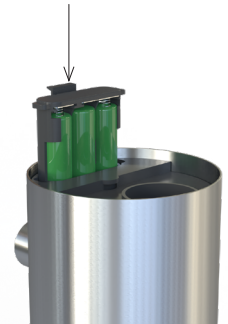
- ① Press the Battery Release in and upwards to pull out the Battery Box.



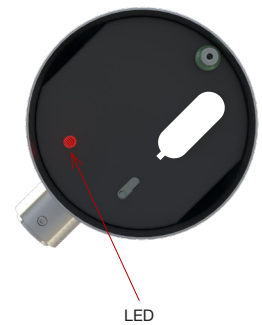
- ② Insert (replace) the six AA batteries in the Battery Box.
NOTE: To ensure a long service life, always use high quality AA batteries, make sure all six batteries are from the same brand and never mix used batteries with new ones.



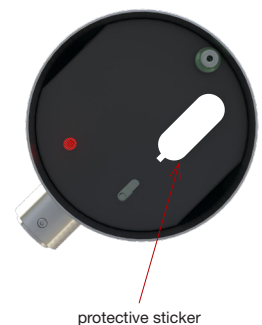
- ③ Slide the Battery Box back in and gently press down the Battery Release. Place the dispenser lid back on and lock it with the enclosed Hex Key.



- ④ On the bottom of the dispenser the LED will flash 5 times and enter Normal Operation Mode.
NOTE: The LED will automatically start flashing when the batteries need to be replaced.

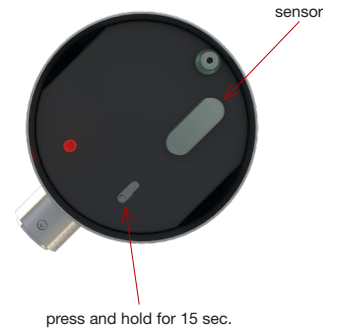


- ⑤ Remove the protective sticker from the Sensor and the dispenser is ready for use without any further settings.

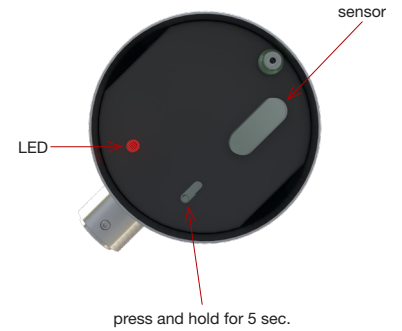


STEP 4: Proximity Sensor Setting

- ① When the protective sticker from the Sensor has been removed, press and hold the Settings Button for 15 seconds to enter the System Setting Mode.



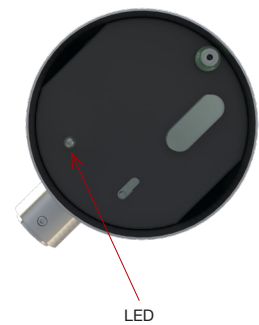
- ② To enter the Proximity Sensor Mode press and hold the Settings Button for 5 seconds and release when the LED starts flashing.



- ③ Place the palm of your hand below the Sensor within the required sensing distance from the dispenser bottom and hold while the LED flashes.
NOTE: The sensing distance must be between 5-15 cm (2-6 in).



- ④ When the LED flashes stops, the Proximity Sensor Setting is complete.

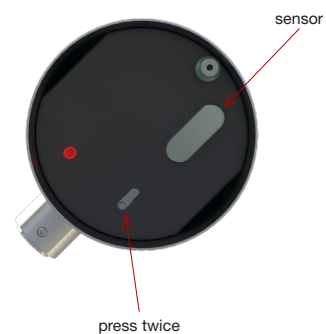


STEP 5: Liquid Output Settings

- ① Press and hold the Settings Button for 15 seconds to enter the System Setting Mode.



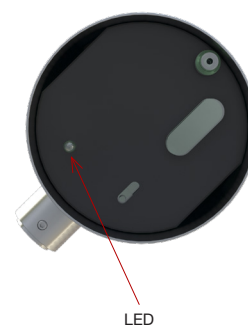
- ② Press the Settings Button twice to enter the Liquid Output Settings.
Take notice of where the Sensor is located.



- ③ When the LED flashes place the palm of your hand below the Sensor to activate it.
Remove your hand when you reach the metered dose of your request.
NOTE: The metered dose must be between 0,8 - 6,5 ml.



- ④ When the LED flashes stops, the Liquid Output Setting is complete.

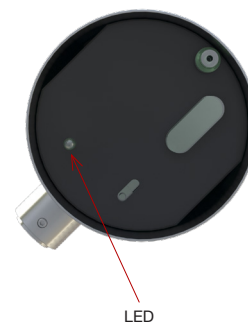


STEP 6: Sleep Mode Settings (during cleaning / maintenance)

- ① Press the Settings Button five times to avoid accidental operation during cleaning or maintenance.



- ② When the LED stops the dispenser has entered Sleep Mode.



- ③ Press and hold the Settings Button for 2 seconds for the dispenser to return to Normal Operation Mode.



For other languages, DE, NL, FR, SE and DK
please see our website www.frost.dk

Situation	Reason	Treatment
LED light is not on	<p>Abnormal power supply</p> <p>Sensing distance is too short</p> <p>Poor battery contact or out of battery</p> <p>Sensor dirty</p>	<p>Please check the circuit or batteries</p> <p>Adjust the proximity sensor settings</p> <p>Replace the batteries</p> <p>Clean the sensor</p>
LED light is normal but no liquid output	<p>Sensor continuously sensing</p> <p>Sensing distance is not as recommended</p> <p>Machine stoppage</p>	<p>Remove possible obstacles from the sensor</p> <p>Adjust the proximity sensor settings</p> <p>Please inform the dealer</p>
Insufficient liquid output	<p>Induction time is too short</p> <p>The liquid is too viscous</p> <p>Liquid solidification or blockage</p>	<p>Adjust the liquid output settings</p> <p>Please change into low viscosity liquid</p> <p>Please use it several times continuously until the liquid can be ejected normally</p>

FROST A/S
BAVNE ALLÉ 32
DK - 8370 HADSTEN

T +45 8761 0032

info@frost.dk
www.frost.dk

[facebook.com / FROSTdenmark](https://www.facebook.com/FROSTdenmark)
[twitter.com / FROSTdenmark](https://twitter.com/FROSTdenmark)
[instagram.com / FROSTdenmark](https://www.instagram.com/FROSTdenmark)
[pinterest.com / FROSTdenmark](https://www.pinterest.com/FROSTdenmark)