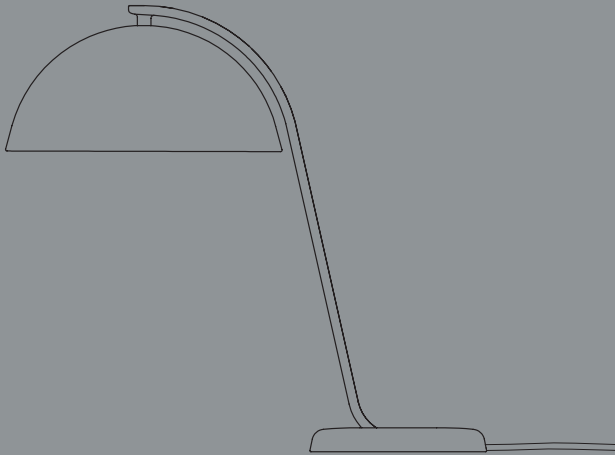


INSTRUCTION MANUAL

---

# CLOCHE



By *Lars Beller Fjetland*

**HAY**



## INTRODUCTION

---

Cloche is a table top lamp providing a directional light. Its black powder coated arm and off-set cast iron base creates a visual imbalance, resembling the suspension of a traditional dining cloche.

## TECHNICAL DATA

---

This product is supplied with an E14 LED Bulb. Replacement bulbs must be the same type as the one supplied with the product. HAY will not accept any responsibility for any

accidents or injuries that occur due to the use of incorrect bulbs.

## ATTENTION

---

In some countries, electrical installations must be carried out by authorised electricians/contractors; please check with your local authority for guidance. The product must not be modified in any way. HAY accepts no responsibility for any products that have been modified or tampered with. If the

trailing cable on this product becomes damaged, it should be replaced immediately by qualified personnel to ensure there is no further danger to the user. This lamp is designed for indoor use only.

## CARE AND MAINTENANCE

---

Ensure that the power supply has been turned OFF before cleaning the product. We recommend that you use a microfibre cloth to clean any dust accumulated on the shade, arm and base.

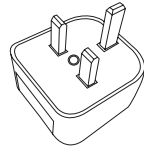
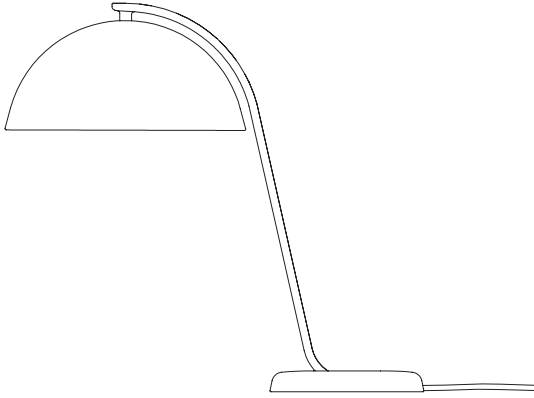
Do not clean with a wet cloth.

Do not use alcohol or any other solvents to clean this product.



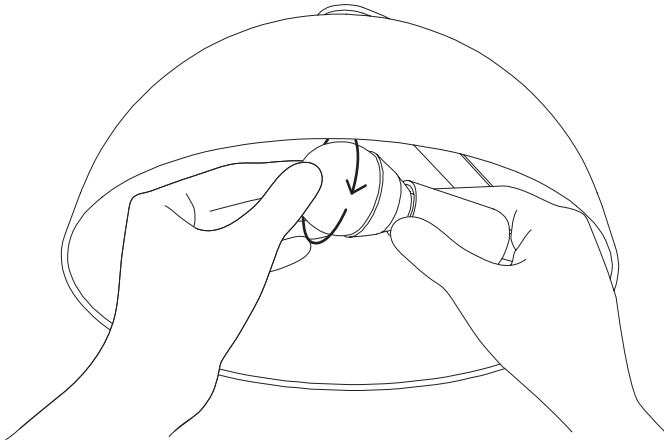
# PARTS

---



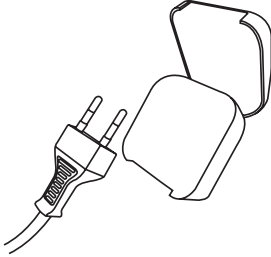
1.

Make sure the light is unplugged from the mains power. To install the bulb, place one hand on the bulb holder and gently twist the bulb clockwise as shown below.



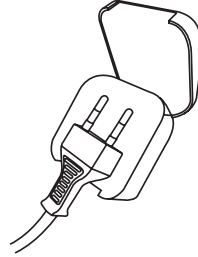
2.

For UK customers, insert the EU plug into the converter provided.



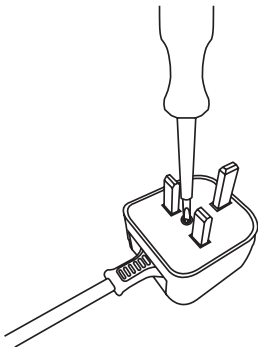
3.

Close the converter over the EU plug, with the pins secured in the internal spring clip contacts.



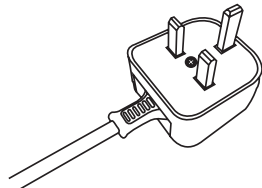
4.

Screw the converter together to ensure the UK plug is secure.



5.

With the UK plug converter assembled, the product is now ready to use.













Havnen 1 8700 Horsens Denmark

+45 4282 0282 / [hay@hay.com](mailto:hay@hay.com)

**HAY**