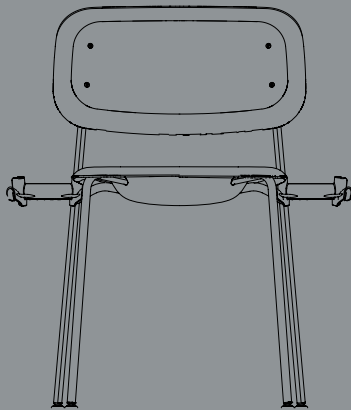


- MOUNTING INSTRUCTION -

SOFT EDGE 10 LINKING DEVICE



HAY

- MOUNTING INSTRUCTION -

1.

Fasten the linking device on the first chair by pushing it slightly angled onto the back leg tube.



2.

Push the other chair into the linking device.



3.

Push down the linking device until it snaps onto both seat tubes.



HAY

HAY Havnen 1 8700 Horsens Denmark +45 4282 0282 / www.hay.com